

Code: OMEGA-40P20-12

# IP SPEED DOME CAMERA OUTDOOR **OMEGA-40P20-12** 5.0 Mpx 4.7 ... 94 mm

Net: **375.72 USD** Gross: **462.14 USD**



IP camera equipped with very good high resolution sensor. Due to above it is perfect solution for surveillance systems requiring persons or vehicles recognition.

Very easy operation by Internet Explorer browser allows the users to convenient and remote support, and also remote management of the camera. Included camera software enables management and integrated monitoring of many network cameras.

For a few models of IP cameras working at 1920 x 1080 resolution we recommend to use of network with 1Gb/s bandwidth.

## SPECIFICATION

Standard:	TCP/IP
Sensor:	1/2.3 " OmniVision Low Illumination CMOS
Digital Image Processor:	Hisilicon 3516A
Matrix size:	5.0 Mpx
Resolution:	2592 x 1944 - 5.0 Mpx, MJPEG only , 2592 x 1520 - 4.0 Mpx , 2304 x 1296 - 3.0 Mpx , 2048 x 1536 - 3.0 Mpx, MJPEG only , 1920 x 1080 - 1080p , 1280 x 960 - 1.3 Mpx 1280 x 720 720p
Operation modes:	Main and sub streams may be in any configuration  Firmware V1.04.10-180125 • Main stream : 2592 x 1520, 2304 x 1296, 1920 x 1080, 1280 x 960, 1280 x 720 • Sub stream : 640 x 480, 480 x 360, 352 x 288, 320 x 240, 176 x 144 • MJPEG stream : 2592 x 1944, 2592 x 1520, 2048 x 1536, 1920 x 1080, 1280 x 720
Scanning system:	Progressive
Lens:	4.7 ... 94 mm
View angle:	• 54 ° ... 2.9 ° (manufacturer data) • 41 ° ... 5 ° (our tests result)
Optical zoom:	x 20

DELTA-OPTI Monika Matysiak; <https://www.delta.poznan.pl>  
POL; 60-713 Poznań; Graniczna 10  
e-mail: [delta-opti@delta.poznan.pl](mailto:delta-opti@delta.poznan.pl); tel: +(48) 61 864 69 60

Auto IR illuminator:	Adaptive adjusting of the IR illuminator power to the lens zoom and outdoor light conditions
Range of IR illumination:	120 m
S/N ratio:	≥ 50 dB (AGC off)
Video output:	—
Rotation speed (manual control):	0.02 °/s ... 20 °/s (horizontal) 0.02 °/s ... 20 °/s (vertical)
Horizontal rotation range:	360 ° continuous
Vertical rotation range:	0 ° ... 93 °
RS-485 interface:	—
Number of presets:	255
Horizontal scan:	✓
Image compression method:	H.264 / H.265 / MJPEG
Protections:	Overvoltage
Alarm inputs / outputs:	—
Network interface:	10/100 Base-T (RJ-45)
Network protocols:	TCP/IP, HTTP, FTP, RTSP, UPnP, DNS, NTP, RTP, UDP, IGMP
WEB Server:	Built-in
ONVIF:	2.4
Mobile phones support:	Connection in cloud technology only • Android: Free application <a href="#">Cloudlens</a> • iOS (iPhone): Free application <a href="#">Cloudlens</a>
Default IP address:	192.168.1.110
Default admin user / password:	admin / admin
Route settings:	3
OSD menu:	✓
Main features:	<ul style="list-style-type: none"> <li>• ICR - Movable InfraRed filter</li> <li>• Parking action - this function enables to locate the camera to specific position automatically if operator doesn't operate the controller for some time</li> <li>• DNR - Digital Noise Reduction</li> <li>• BLC - configurable Back Light Compensation</li> <li>• Day/Night mode (color/b&amp;w/auto)</li> <li>• IR illuminator optimization</li> <li>• AGC - Automatic Gain Control</li> <li>• Auto White Balance</li> </ul>
Power supply:	12 V DC / 4 A (power adapter included)
Housing:	Speed Dome, Metal
Color:	White
Operation temp:	-40 °C ... 60 °C
"Index of Protection":	IP66
Weight:	3.542 kg (with bracket)
Dimensions:	277 x 416 x 220 mm (with bracket)
Guarantee:	2 years

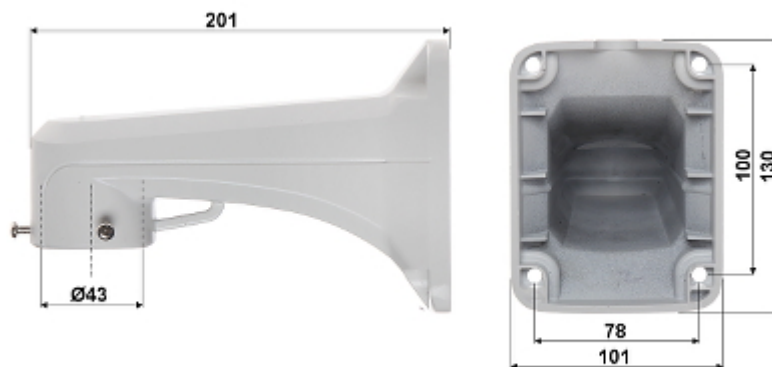
## PRESENTATION



DELTA-OPTI Monika Matysiak; <https://www.delta.poznan.pl>  
POL; 60-713 Poznań; Graniczna 10  
e-mail: [delta-opti@delta.poznan.pl](mailto:delta-opti@delta.poznan.pl); tel: +(48) 61 864 69 60



Bracket dimensions:



Camera connectors:



In the kit:



## OUR TESTS

Camera image at artificial illumination (about 30Lux):



Camera image at night conditions with internal built-in IR illuminator on:



Camera image at direct strong light opposite to camera:



Record from camera during daylight operation:

: