

Code: HAC-HDW1400EM-A-POC-0280B

AHD, HD-CVI, HD-TVI, PAL VANDALPROOF CAMERA **HAC-HDW1400EM-A-POC-0280B** - 3.7 Mpx 2.8 mm DAHUA

Net: **334.00 PLN** Gross: **410.82 PLN**



Megapixel camera with 1/2.7" CMOS sensor and AHD / HD-CVI / HD-TVI / PAL.

The AHD / HD-CVI / HD-TVI interface allows to transmission of analog video signal via coaxial cable in max. 8 Mpx (4K UHD) resolution. During transmission there are no delays and is maintained the original, high quality image.

Attention! The camera default setting is HD-CVI standard. To change the camera standard you need use the PFM820 controller, available separately.

In the case of video transmission using a twisted pair cable and matching transformers (balun), be aware of the possibility of signal reflections and interfering signals.

The PoC (Power over Coaxial) technology used in the device allows to power the compatible with this standard cameras via a coaxial cable directly from the recorder, eliminating the need for additional wires or power supplies. Camera is according to IP67 Index of Protection norm.

SPECIFICATION

Standard:	AHD / HD-CVI / HD-TVI / PAL
Sensor:	1/2.7 " Progressive Scan CMOS
Matrix size:	4 Mpx
Resolution:	2560 x 1440 - 3.7 Mpx 1920 x 1080 - 1080p
Range of IR illumination:	50 m
IR illuminator power adjustment:	Automatic
Lens:	2.8 mm
View angle:	<ul style="list-style-type: none">• 97 ° (manufacturer data)• 94 ° (our tests result)
S/N ratio:	> 65 dB
Video output:	AHD / HD-CVI / HD-TVI / CVBS, 1 Vpp / 75 Ω
Audio:	<ul style="list-style-type: none">• Microphone built-in• Audio support via coaxial cable - HD-CVI only
Main features:	<ul style="list-style-type: none">• D-WDR - Wide Dynamic Range• 2D-DNR - Digital Noise Reduction• BLC - configurable Back Light Compensation• HLC - High Light Compensation (spot)• ICR - Movable InfraRed filter• AGC - Automatic Gain Control• Auto White Balance

DELTA-OPTI Monika Matysiak; <https://www.delta.poznan.pl>
POL; 60-713 Poznań; Graniczna 10
e-mail: delta-opti@delta.poznan.pl; tel: +(48) 61 864 69 60

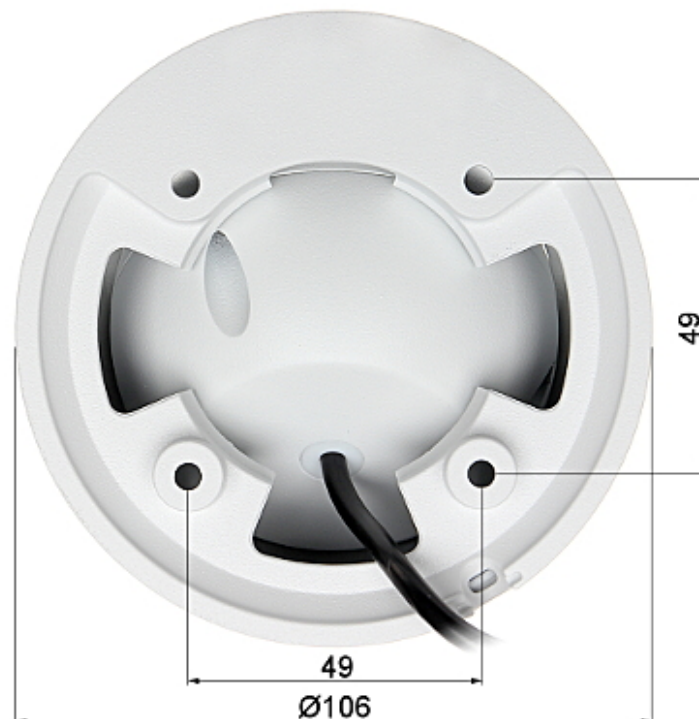
OSD menu:	OSD menu available via DAHUA recorder
Power supply:	<ul style="list-style-type: none"> • PoC, • 12 V DC / 240 mA
Power consumption:	≤ 3.4 W
Housing:	Dome, Aluminum
"Index of Protection":	IP67
Vandal-proof:	—
Color:	White
Operation temp:	-40 °C ... 60 °C
Weight:	0.49 kg
Dimensions:	Ø 106 x 94 mm
Manufacturer / Brand:	DAHUA
Guarantee:	3 years

PRESENTATION

Camera is out from clamping ring:



Dimensions:



See the benefits of using Power over Coaxial (PoC) technology:

:

In the kit:



OUR TESTS

AHD:

Camera image at artificial illumination (about 30Lux):



Camera image at night conditions with internal built-in IR illuminator on:



Camera image at direct strong light opposite to camera:



HD-CVI:



Camera image at artificial illumination (about 30Lux):



Camera image at night conditions with internal built-in IR illuminator on:



Camera image at direct strong light opposite to camera:



HD-TVI:

Camera image at artificial illumination (about 30Lux):



Camera image at night conditions with internal built-in IR illuminator on:



Camera image at direct strong light opposite to camera:

