

Code: HAC-HDW1500TLMQ-A-0280B-S2

# AHD, HD-CVI, HD-TVI, PAL CAMERA **HAC-HDW1500TLMQ-A-0280B-S2** - 5 Mpx 2.8 mm DAHUA

Net: **64.31 EUR** Gross: **79.10 EUR**

Megapixel camera with 1/2.7" CMOS sensor and AHD / HD-CVI / HD-TVI / CVBS.

The range of IR illumination according to the manufacturer data, depends on outer conditions (visibility - air transparency, environment, wall colors ie. scene reflectance).

The AHD / HD-CVI / HD-TVI interface allows to transmission of analog video signal via coaxial cable in max. 8 Mpx (4K UHD) resolution. During transmission there are no delays and is maintained the original, high quality image.

In the case of video transmission using a twisted pair cable and matching transformers (balun), be aware of the possibility of signal reflections and interfering signals.

Camera is according to IP67 Index of Protection norm.



## SPECIFICATION

Standard:	HD-CVI, HD-TVI, AHD, CVBS
Sensor:	1/2.7 " Progressive Scan CMOS
Matrix size:	5 Mpx
Resolution:	2880 x 1620 - 5 Mpx @ 25 fps - HD-CVI only : Aspect Ratio 16 : 9 , 2560 x 1440 - 3.7 Mpx @ 25 fps , 1920 x 1080 - 1080p @ 25 fps - HD-CVI only , 960 x 576 - 960H, PAL
Range of IR illumination:	30 m
IR illuminator power adjustment:	Automatic
Lens:	2.8 mm
View angle:	<ul style="list-style-type: none"><li>• 111 ° (manufacturer data)</li><li>• 106 ° (our tests result)</li></ul>
Video output:	AHD / HD-CVI / HD-TVI / CVBS, 1 Vpp / 75 Ω
Audio:	Microphone built-in, HD-CVI only
Main features:	<ul style="list-style-type: none"><li>• D-WDR - Wide Dynamic Range</li><li>• 2D-DNR - Digital Noise Reduction</li><li>• BLC/HLC - Back Light / High Light Compensation</li><li>• ICR - Movable InfraRed filter</li><li>• Day/night mode</li><li>• AGC - Automatic Gain Control</li><li>• Auto White Balance</li><li>• Privacy zones</li><li>• Mirror - Mirror image</li><li>• Sharpness - sharper image outlines</li></ul>

DELTA-OPTI Monika Matysiak; <https://www.delta.poznan.pl>  
POL; 60-713 Poznań; Graniczna 10  
e-mail: [delta-opti@delta.poznan.pl](mailto:delta-opti@delta.poznan.pl); tel: +(48) 61 864 69 60

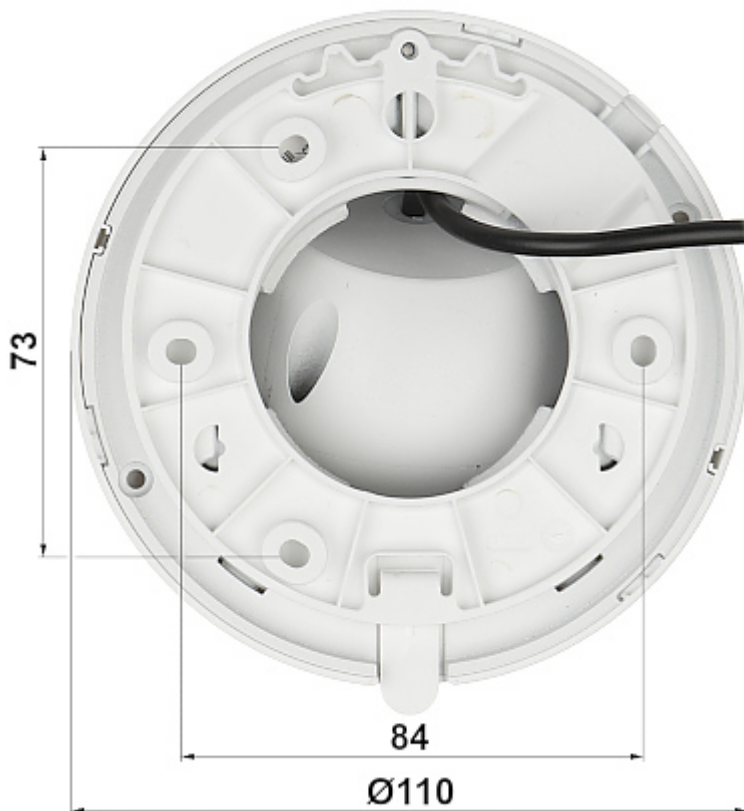
OSD menu:	OSD menu available via DAHUA recorder
Power supply:	12 V DC / 265 mA
Power consumption:	≤ 3.2 W
Housing:	Dome, Metal + Plastic
"Index of Protection":	IP67
Color:	White
Vandal-proof:	—
Operation temp:	-40 °C ... 60 °C
Weight:	0.33 kg
Dimensions:	Ø 110 x 88 mm
Manufacturer / Brand:	DAHUA
Guarantee:	<b>3 years</b>

## PRESENTATION

Camera is out from clamping ring:

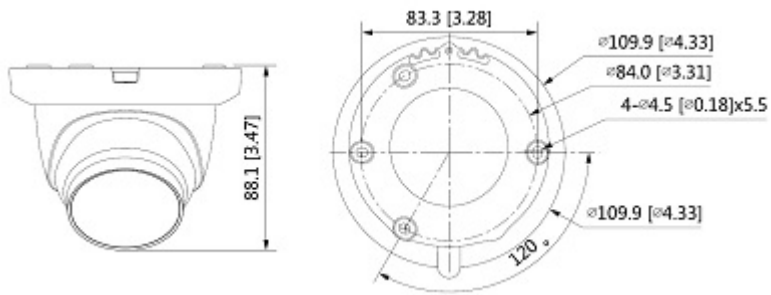


Mounting side view:

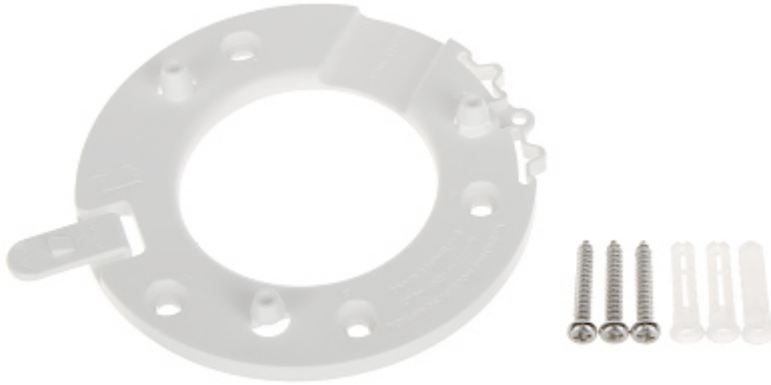


Dimensions:





In the kit:



## OUR TESTS

AHD:

Camera image at artificial illumination (about 30Lux):



Camera image at night conditions with internal built-in IR illuminator on:



Camera image at direct strong light opposite to camera:



HD-CVI:

Camera image at artificial illumination (about 30Lux):



Camera image at night conditions with internal built-in IR illuminator on:



Camera image at direct strong light opposite to camera:



HD-TVI:

Camera image at artificial illumination (about 30Lux):



Camera image at night conditions with internal built-in IR illuminator on:



Camera image at direct strong light opposite to camera:



## PACKAGE

Dimensions (L x W x H): 0x0x0 mm	Gross Weight: 0 kg
----------------------------------	--------------------