

Code: DS-2CE16H0T-IT1F(2.8MM)

AHD, HD-CVI, HD-TVI, PAL CAMERA **DS-2CE16H0T-IT1F(2.8MM)** - 5 Mpx Hikvision

Net: **64.26 EUR** Gross: **79.04 EUR**

Megapixel camera with Progressive scan CMOS sensor and AHD / HD-CVI / HD-TVI / PAL.

The AHD / HD-CVI / HD-TVI interface allows to transmission of analog video signal via coaxial cable in max. 8 Mpx (4K UHD) resolution. During transmission there are no delays and is maintained the original, high quality image. The change of the AHD / HD-CVI / HD-TVI / PAL standard is done with the corresponding button by keeping it pressed for approx. 5 seconds.

In the case of video transmission using a twisted pair cable and matching transformers (balun), be aware of the possibility of signal reflections and interfering signals.

The 3-Axis integrated camera bracket has a regulation in all three planes, which allows to turn the camera to any direction. Camera is according to IP67 Index of Protection norm.



SPECIFICATION

Standard:	AHD / HD-CVI / HD-TVI / PAL
Sensor:	Progressive Scan CMOS
Matrix size:	5.0 Mpx
Resolution:	<ul style="list-style-type: none">• 2560 x 1944 - 5 Mpx @ AHD / HD-TVI,• 2560 x 1440 - 4 Mpx @ AHD / HD-CVI / HD-TVI• 1920 x 1080 - 1080p @ HD-TVI• 960 x 576 - 960H @ PAL
Lens:	2.8 mm
View angle:	<ul style="list-style-type: none">• 86 ° (manufacturer data)• 82 ° (our tests result)
Range of IR illumination:	20 m
IR illuminator power adjustment:	Automatic
Video output:	1 Vpp / 75 Ω - AHD / HD-CVI / HD-TVI / CVBS, BNC socket
OSD menu:	OSD menu available via recorder
Main features:	<ul style="list-style-type: none">• D-WDR - Wide Dynamic Range• 2D-DNR - Digital Noise Reduction• EXIR - high-efficiency infrared LEDs technology, which evenly covers the whole plan of both central vantage points of the scene as well as the corners• ICR - Movable InfraRed filter• Mirror - Mirror image• BLC - Back Light Compensation• AGC - Automatic Gain Control• Auto White Balance• Sharpness - sharper image outlines
Power supply:	12 V DC / 360 mA
Power consumption:	≤ 4.3 W
Housing:	Compact, Metal / Plastic

DELTA-OPTI Monika Matysiak; <https://www.delta.poznan.pl>
POL; 60-713 Poznań; Graniczna 10
e-mail: delta-opti@delta.poznan.pl; tel: +(48) 61 864 69 60

Color:	White / Black
"Index of Protection":	IP67
Operation temp:	-40 °C ... 60 °C
Weight:	0.43 kg
Dimensions:	226 x 87 x 82 mm
Supported languages:	English
Manufacturer / Brand:	Hikvision
SAP Code:	300509594
Guarantee:	3 years

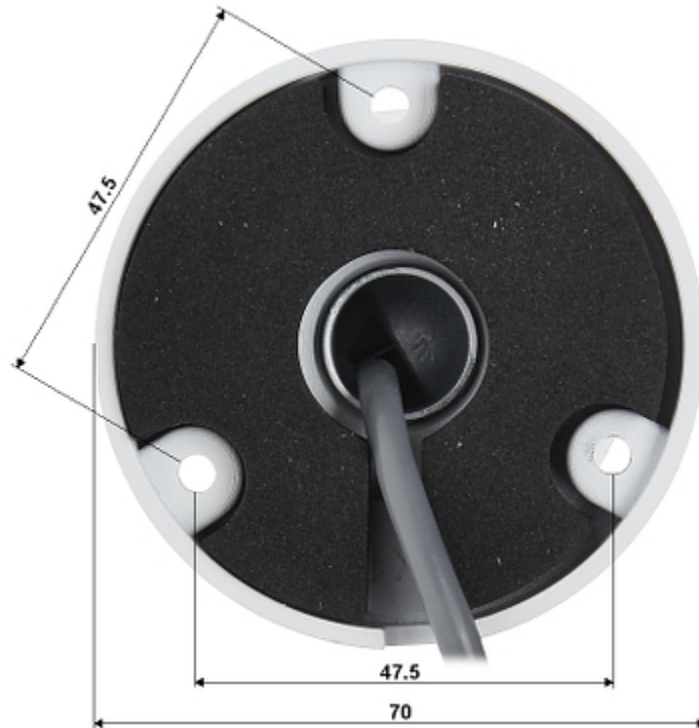
PRESENTATION



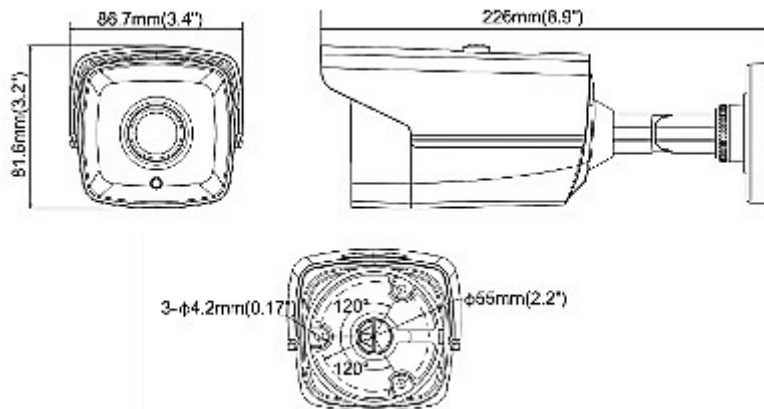
Side view:



Mounting side view:



Camera dimensions:



The change of the AHD / HD-CVI / HD-TVI / PAL standard is done with the corresponding button by keeping it pressed for approx. 5 seconds:



In the kit:



OUR TESTS

AHD:

Camera image at artificial illumination (about 30Lux):



Camera image at night conditions with internal built-in IR illuminator on:



Camera image at direct strong light opposite to camera:



HD-CVI:

Camera image at artificial illumination (about 30Lux):



Camera image at night conditions with internal built-in IR illuminator on:



Camera image at direct strong light opposite to camera:



HD-TVI:

Camera image at artificial illumination (about 30Lux):



Camera image at night conditions with internal built-in IR illuminator on:



Camera image at direct strong light opposite to camera:

