

Code: VTNS1006A-2

SWITCH VTNS1006A-2 DAHUA 2-wire DAHUA

Net: 222.15 EUR Gross: 273.24 EUR

The VTNS1006A-2 module is dedicated to work in multifamily systems - only supports the VTH5222CH monitors.

The device has 6 2-wire buses for connecting the monitors and external panels (power supply and signal transmission) and 1 Ethernet socket for connecting the LAN network. Additionally the switch is equipped with extra 2-wire bus outputs which allow to cascade connection up to 30 such devices. Enabling connection up to 180 internal panels, or video doorphones as the one installation system.

The switch can be also connected to the LAN network, which allows to expand the installation with additional DAHUA devices working in the IP standard and connect the entire video door station to the Internet. In case of cascade connection the VTNS1006A-2 devices with LAN network, it is recommended to attach only the lowest level switch in the cascade to it.

Attention! When selecting 2-wire devices, check the compatibility list available at the bottom of the page in the "files" section.

The switch is dedicated to multi-family installations and works with VTH5222CH.



SPECIFICATION

Number of ports:	6 x DAHUA 2-wire , 2 x DAHUA 2-wire - Uplink 1 x RJ-45
Compatibility:	2-wire doorphone installation DAHUA
Main features:	<ul style="list-style-type: none">• Possibility to connecting in cascade• Possibility to mount on a wall, or on the DIN TS-35 rail
Power supply:	24 V DC
Power consumption:	max. 80 W (at full load)
Housing:	Metal
Operation temp:	-10 °C ... 55 °C
Weight:	0.50 kg
Dimensions:	178 x 106 x 30 mm
Manufacturer / Brand:	DAHUA
Guarantee:	3 years

PRESENTATION

Front view:



DELTA-OPTI Monika Matysiak; <https://www.delta.poznan.pl>
POL; 60-713 Poznań; Graniczna 10
e-mail: delta-opti@delta.poznan.pl; tel: +(48) 61 864 69 60



Rear view:



Top view:

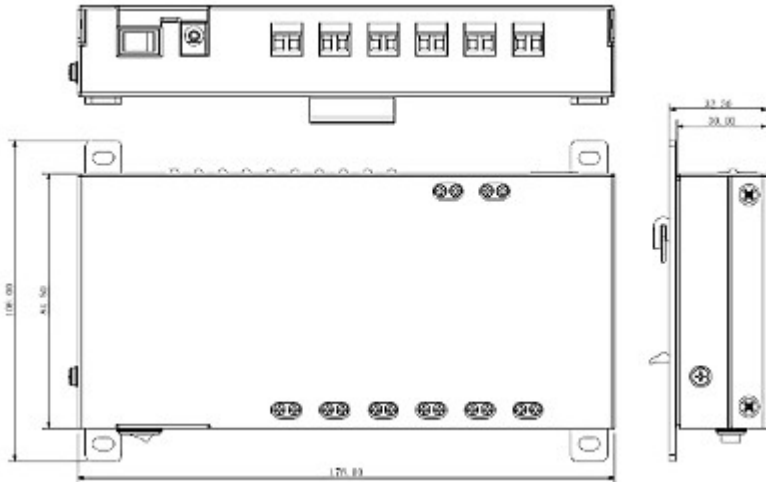


Connectors view:

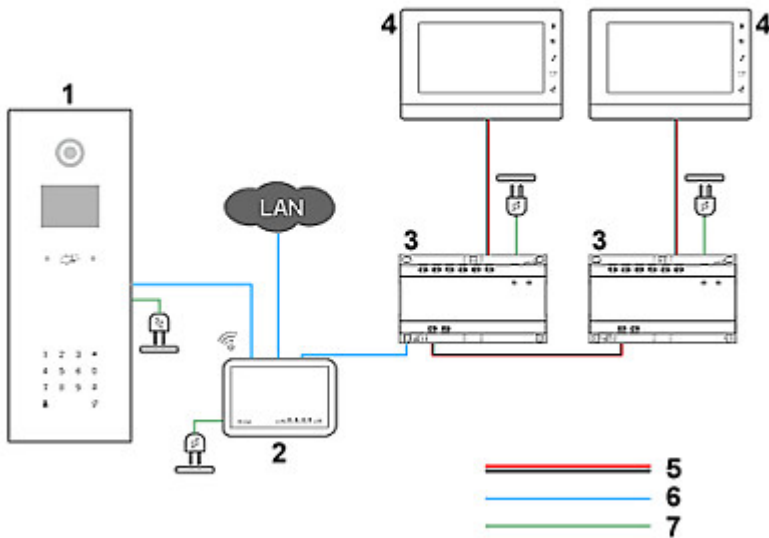




Dimensions:



Example of application:



1. Video doorphone
 2. Switch
 3. VTNS1006A-2
 4. Indoor panel VTH5222CH
 5. pair of wires
 6. UTP cat. 5e/6
 7. Power supply
- In the kit:

