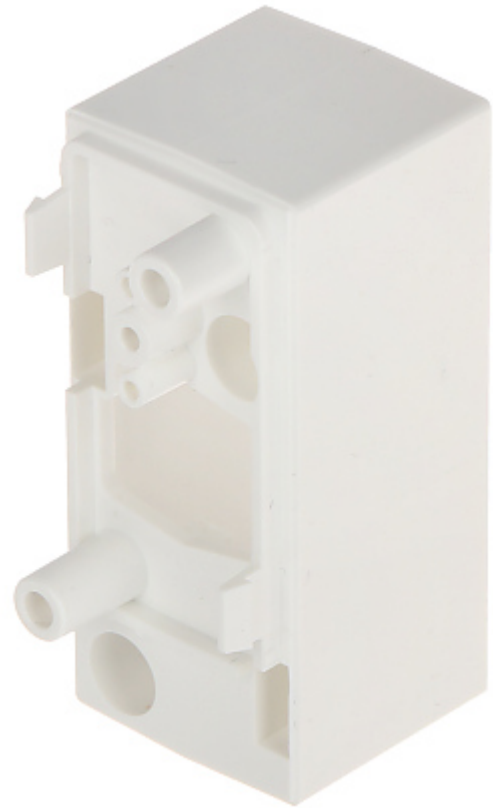


Code: BRACKET-E-3

## DISTANCE FOR A MODULAR BRACKET FOR MOTION DETECTORS

### **BRACKET-E-3 SATEL**

Net: **1.81 EUR** Gross: **2.23 EUR**



The BRACKET-E-3 distance is an element of the modular bracket for BRACKET-E motion detectors.

#### **SPECIFICATION**

Support:	BRACKET-E-4, BRACKET-E-1, BRACKET-E-6
Color:	White
Weight:	0.024 kg
Manufacturer / Brand:	SATEL
Guarantee:	2 years

#### **PRESENTATION**



DELTA-OPTI Monika Matysiak; <https://www.delta.poznan.pl>  
POL; 60-713 Poznań; Graniczna 10  
e-mail: [delta-opti@delta.poznan.pl](mailto:delta-opti@delta.poznan.pl); tel: +(48) 61 864 69 60

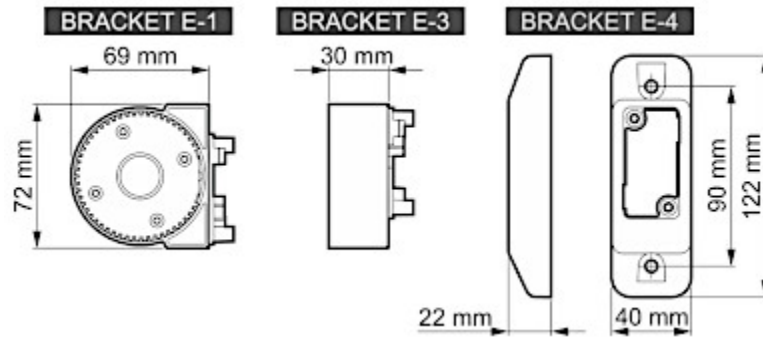




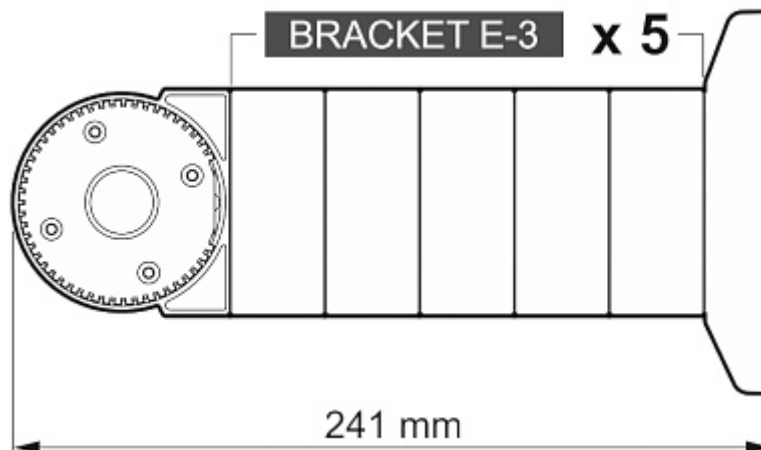
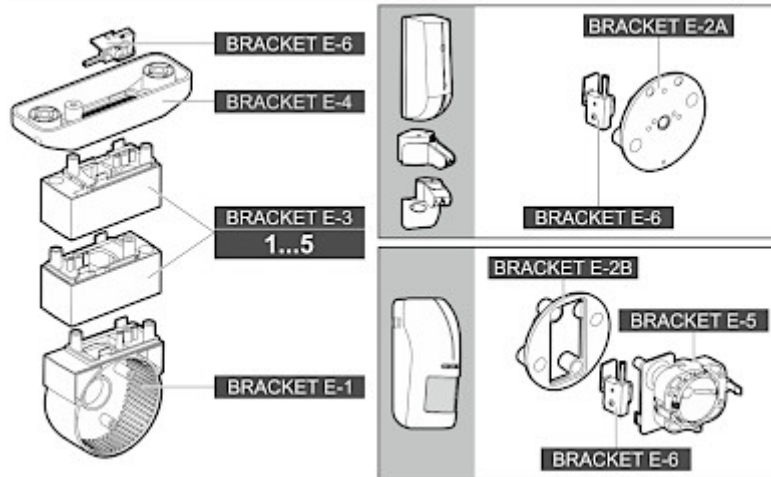
Side view:



Dimensions:



Example of application:



In the kit:





DELTA-OPTI Monika Matysiak; <https://www.delta.poznan.pl>  
POL; 60-713 Poznań; Graniczna 10  
e-mail: [delta-opti@delta.poznan.pl](mailto:delta-opti@delta.poznan.pl); tel: +(48) 61 864 69 60