

Code: HAP100

## AUDIO MODULE **HAP100** DAHUA

Net: **137.00 PLN** Gross: **168.51 PLN**

The HAP100 is designed to listen to sound from the surroundings and operate with DVRs. The device is equipped with microphone built-in inside aesthetic plastic housing, making it ideal for arranging practically at any room.



### SPECIFICATION

Bandwidth:	20 Hz ... 20 kHz
Operation area:	5 m <sup>2</sup> ... 40 m <sup>2</sup>
Power supply:	9 ... 15 V DC, 12 V DC (typical)
Current consumption:	≤ 100 mA, 60 mA (typical)
Output impedance:	600 Ω
Housing:	Plastic
Color:	White
Main features:	<ul style="list-style-type: none"><li>• SNR : 70 dB</li><li>• Very good sensitivity of the microphone</li><li>• Digital Noise Reduction</li><li>• Auto Gain Control</li><li>• Sensitivity adjustment : -45 dB ... -20 dB</li><li>• Dynamic range : 120 dB (1kHz @ max. 1dB SPL)</li></ul>
Operation temp:	-30 °C ... 70 °C
Weight:	0.03 kg
Dimensions:	63 x 30 x 22 mm
Manufacturer / Brand:	DAHUA
Guarantee:	<b>3 years</b>

### PRESENTATION

Microphone:



Sensitivity adjustment:

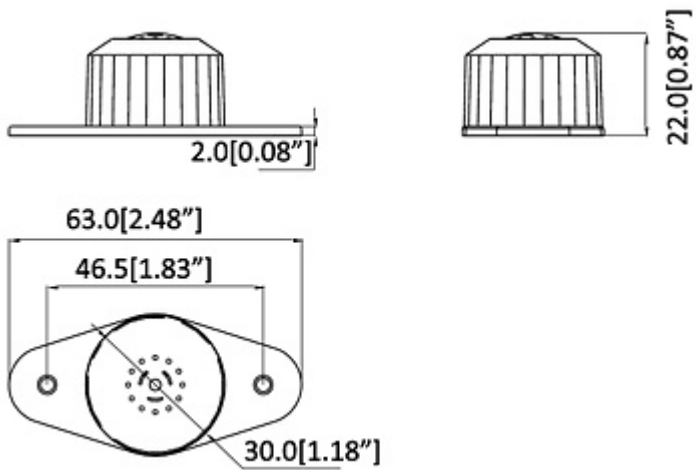


Connectors:



Mounting side view:





In the kit:



**PACKAGE**

Dimensions (L x W x H): 0x0x0 mm	Gross Weight: 0 kg
----------------------------------	--------------------

