

Code: UMA-50U50

## WALL MOUNT **UMA-50U50**

Net: **28.01 EUR** Gross: **34.45 EUR**

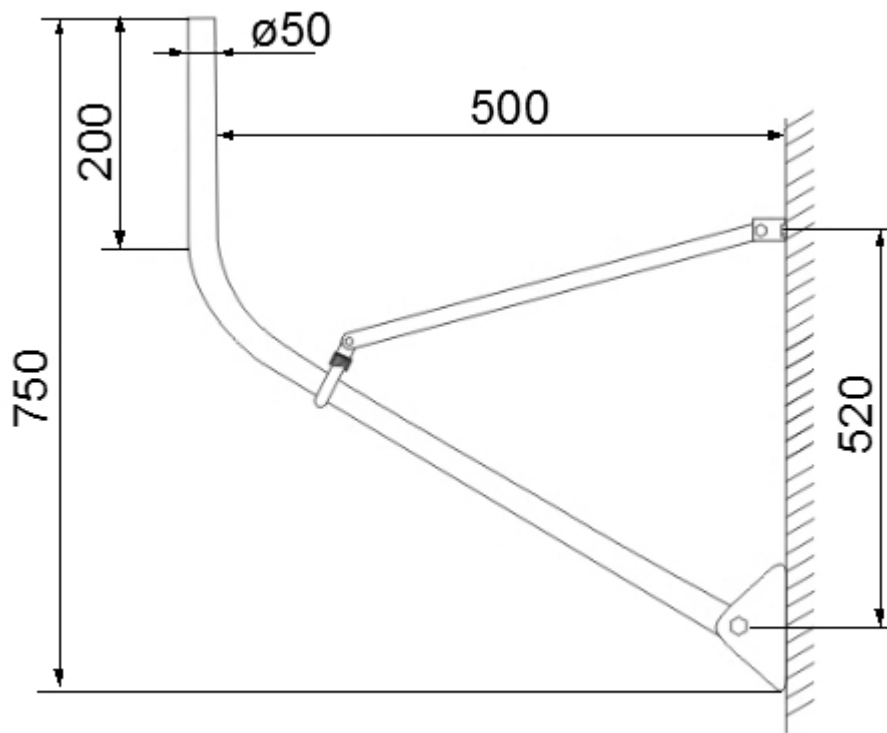


### SPECIFICATION

Material:	Metal
Mount tube diameter:	Ø 50 mm
Height:	200 mm
Distance from mounting surface:	500 mm
Mount:	4 x Expansion plugs Ø 10 mm
Main features:	<ul style="list-style-type: none"><li>• It has swivels for mounting on a wall or on a flat roof</li><li>• Suitable for dish up to 150 cm in diameter</li><li>• Whole element is hot-dip galvanized</li></ul>
Guarantee:	2 years

### PRESENTATION

Dimensions:



**PACKAGE**

Dimensions (L x W x H): 0x0x0 mm	Gross Weight: 0 kg
----------------------------------	--------------------

