

Code: UML-32L30

WALL MOUNT **UML-32L30**

Net: **7.65 EUR** Gross: **7.65 EUR**

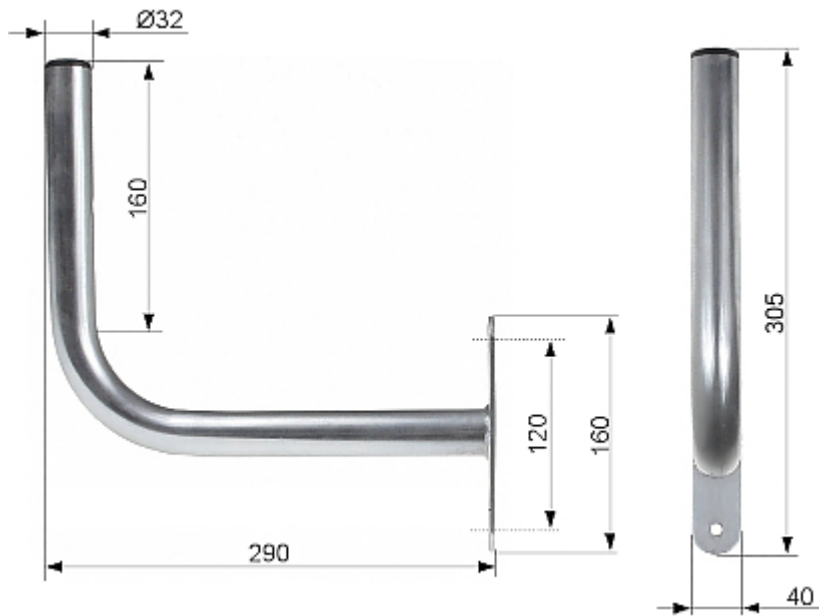


SPECIFICATION

Material:	Metal
Diameter:	Ø 32 mm
Height:	160 mm
Distance from mounting surface:	290 mm
Mount:	2 x Mounting holes Ø 8 mm
Main features:	The whole galvanized
Manufacturer / Brand:	DELTA
Guarantee:	3 years

PRESENTATION

Dimensions:



PACKAGE

Dimensions (L x W x H): 0x0x0 mm	Gross Weight: 0 kg
----------------------------------	--------------------

