

Code: UMA-50R100

WALL MOUNT **UMA-50R100**

Net: **26.76 EUR** Gross: **32.91 EUR**



SPECIFICATION

Material:	Steel galvanized
Diameter:	Ø 50 mm
Height:	1030 mm
Mount:	Mast base - 2 x Wall plugs, Supports - 3 x Wall plugs
Main features:	<ul style="list-style-type: none">• Bracket enables to mount this monitor to flat, sloping or horizontal surfaces• Easy and universal mounting system• It is perfect to mount antennas : WLAN, DVB-T
Weight:	4.75 kg
Manufacturer / Brand:	DELTA
Guarantee:	3 years

PRESENTATION

DELTA-OPTI Monika Matysiak; <https://www.delta.poznan.pl>
POL; 60-713 Poznań; Graniczna 10
e-mail: delta-opti@delta.poznan.pl; tel: +(48) 61 864 69 60

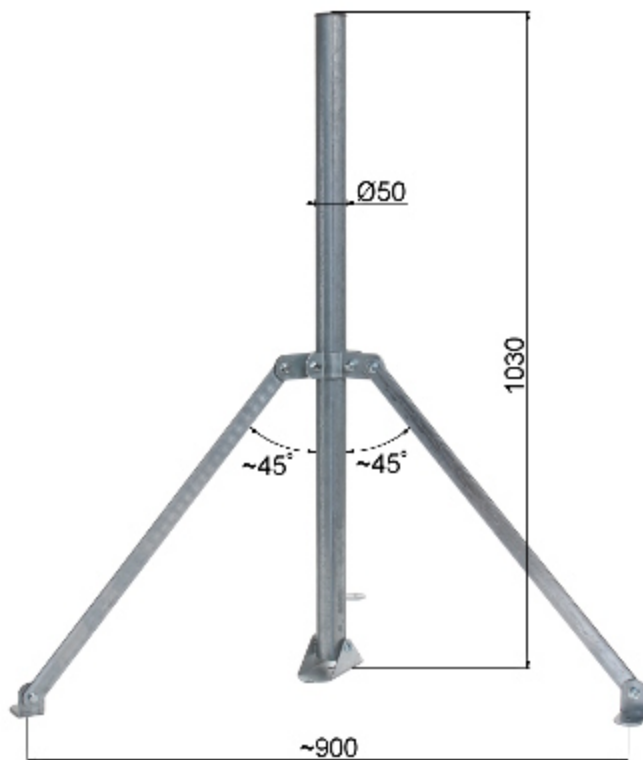
Clamp:



Mast mounting:



Dimensions:



In the kit:

