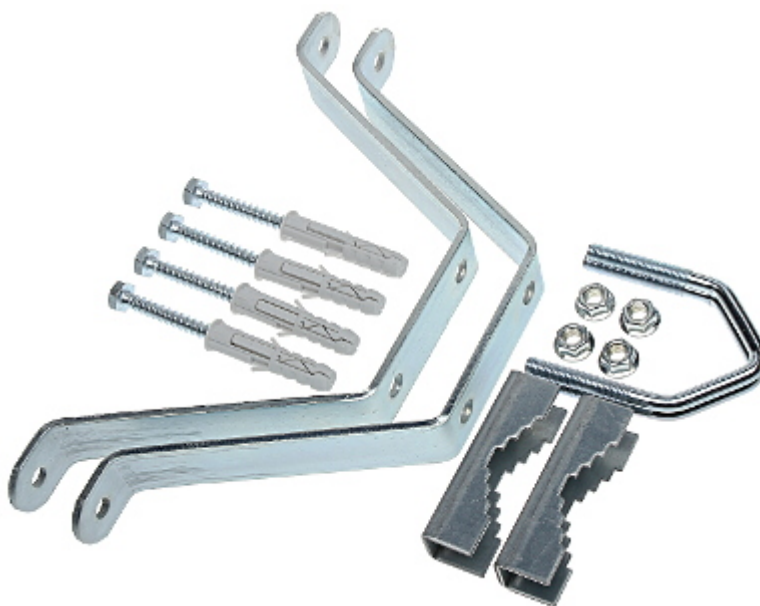


Code: OMM-50L13

## WALL BRACKET OMM-50L13

Net: 22.55 PLN Gross: 27.74 PLN

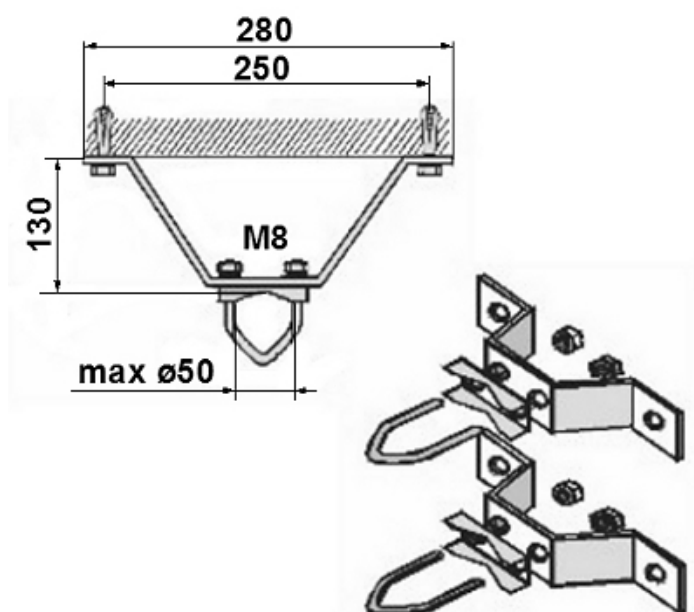
Wall bracket allows to mount the antenna masts to the wall.  
**The kit includes two elements.**



### SPECIFICATION

Material:	Metal
Mast diameter:	max. 50 mm
Distance from tube to the wall:	130 mm
Mount:	4 x Wall plugs Ø 8 mm
Manufacturer / Brand:	DELTA
Guarantee:	3 years

### PRESENTATION



DELTA-OPTI Monika Matysiak; <https://www.delta.poznan.pl>  
POL; 60-713 Poznań; Graniczna 10  
e-mail: delta-opti@delta.poznan.pl; tel: +(48) 61 864 69 60



DELTA-OPTI Monika Matysiak; <https://www.delta.poznan.pl>  
POL; 60-713 Poznań; Graniczna 10  
e-mail: [delta-opti@delta.poznan.pl](mailto:delta-opti@delta.poznan.pl); tel: +(48) 61 864 69 60