

Code: OMP-50L30

WALL BRACKET **OMP-50L30**

Net: **15.96 EUR** Gross: **19.63 EUR**



Wall bracket allows to mount the antenna masts to the wall.

The kit includes two elements.

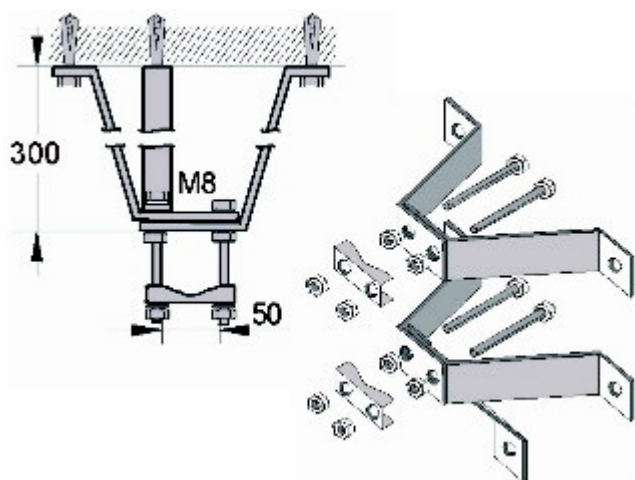
SPECIFICATION

Material:	Metal
Mast diameter:	max. 50 mm
Distance from tube to the wall:	300 mm
Mount:	5 x Wall plugs Ø 8 mm
Main features:	<ul style="list-style-type: none">• The whole galvanized• It has support
Manufacturer / Brand:	DELTA
Guarantee:	3 years

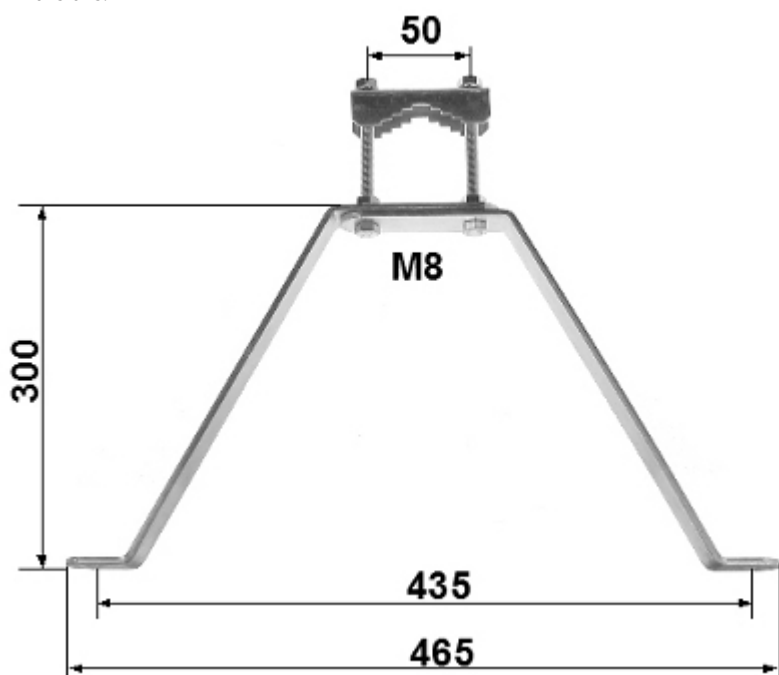
PRESENTATION



DELTA-OPTI Monika Matysiak; <https://www.delta.poznan.pl>
POL; 60-713 Poznań; Graniczna 10
e-mail: delta-opti@delta.poznan.pl; tel: +(48) 61 864 69 60



Dimensions:



In the kit:

