

Code: OMP-50W60

WALL BRACKET **OMP-50W60**

Net: **19.25 EUR** Gross: **23.68 EUR**

Wall bracket allows to mount the antenna masts to the wall.
The kit includes two elements.

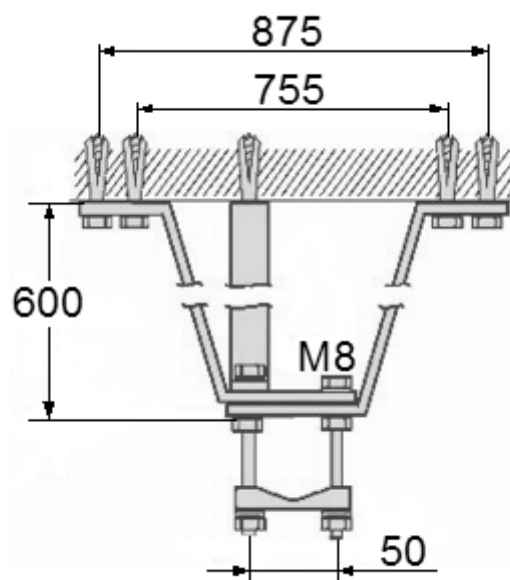
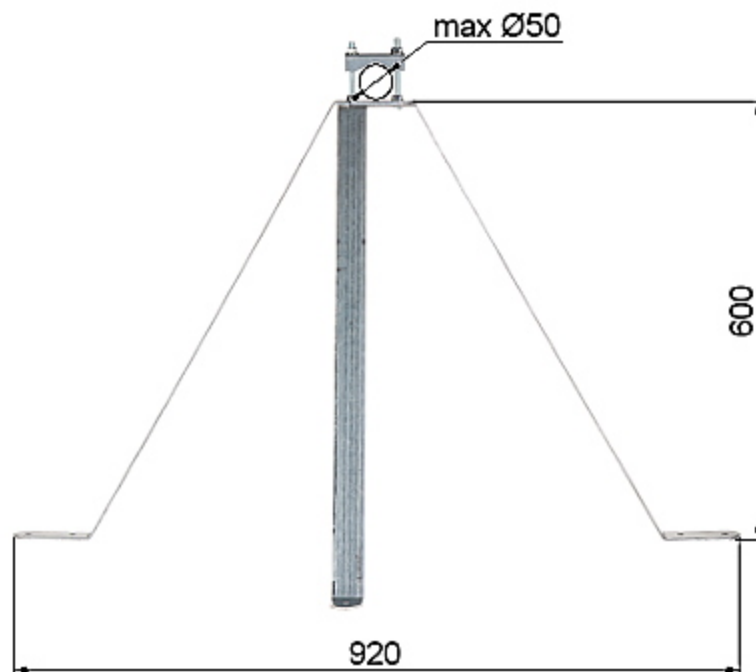


SPECIFICATION

| | |
|---------------------------------|---|
| Material: | Metal |
| Mast diameter: | max. 50 mm |
| Distance from tube to the wall: | 600 mm |
| Mount: | 10 x Wall plugs Ø 8 mm |
| Main features: | <ul style="list-style-type: none">• The whole galvanized• It has support |
| Manufacturer / Brand: | DELTA |
| Guarantee: | 3 years |

PRESENTATION

DELTA-OPTI Monika Matysiak; <https://www.delta.poznan.pl>
POL; 60-713 Poznań; Graniczna 10
e-mail: delta-opti@delta.poznan.pl; tel: +(48) 61 864 69 60



In the kit:

