

Code: OMP-50R45-70

## WALL BRACKET **OMP-50R45-70**

Net: **39.46 EUR** Gross: **39.46 EUR**



Wall bracket allows to mount the antenna masts to the wall.

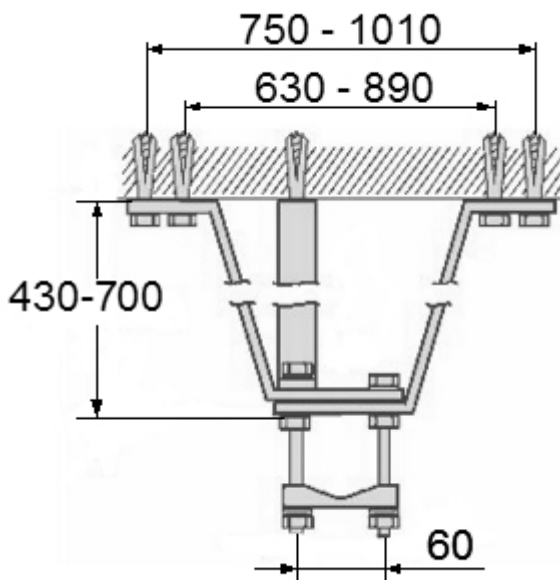
**The kit includes two elements.**

### SPECIFICATION

Material:	Metal
Mast diameter:	max. 50 mm
Distance from tube to the wall:	430 ... 700 mm
Mount:	10 x Expansion plugs Ø 12 mm
Main features:	<ul style="list-style-type: none"><li>• The whole galvanized</li><li>• It has support</li></ul>
Manufacturer / Brand:	DELTA
Guarantee:	<b>3 years</b>

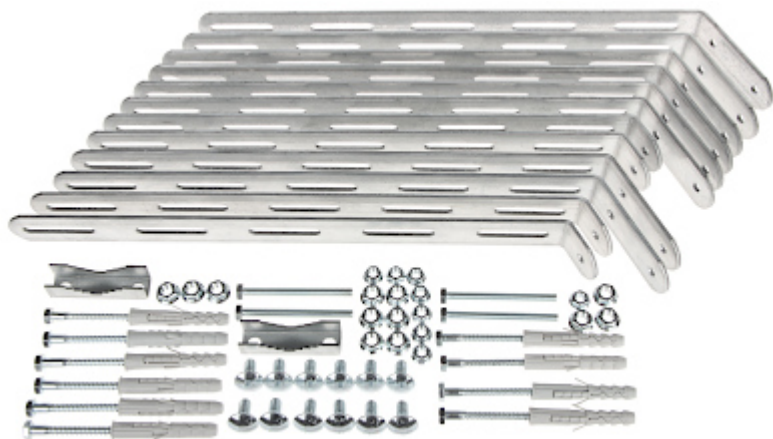
### PRESENTATION

Dimensions (top view):



DELTA-OPTI Monika Matysiak; <https://www.delta.poznan.pl>  
POL; 60-713 Poznań; Graniczna 10  
e-mail: [delta-opti@delta.poznan.pl](mailto:delta-opti@delta.poznan.pl); tel: +(48) 61 864 69 60

In the kit:



**PACKAGE**

Dimensions (L x W x H): 0x0x0 mm	Gross Weight: 0 kg
----------------------------------	--------------------

