

Code: OK-43T4

CHIMNEY CLAMP OK-43T4

Net: 12.22 EUR Gross: 12.22 EUR



Allows to mount large antenna constructions or SAT dishes to a chimney.

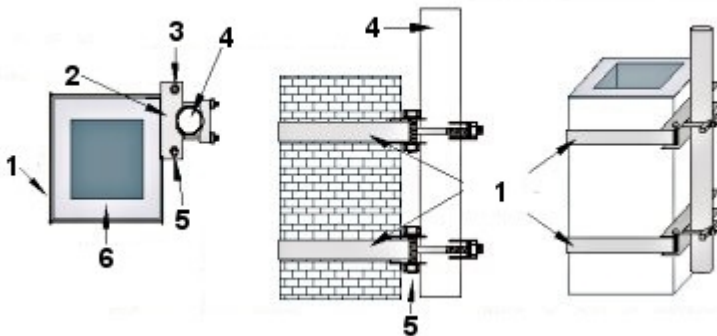
Strip mounting: Place one of the strip end into cut screw, wrap about 30 cm of strip and clamp it with a nut. Tight such mounted strip on the other end using a screw (min. 30cm strip should be wrapped). After it clamp the strip on the other end with a nut.

SPECIFICATION

Material:	Metal
Mast diameter:	max. 50 mm
Strip length:	2 x 5 m
Strip thickness:	0.5 mm
Main features:	<ul style="list-style-type: none">• Distance from mast to the chimney : 0.04 m• Galvanized
Manufacturer / Brand:	DELTA
Guarantee:	3 years

PRESENTATION

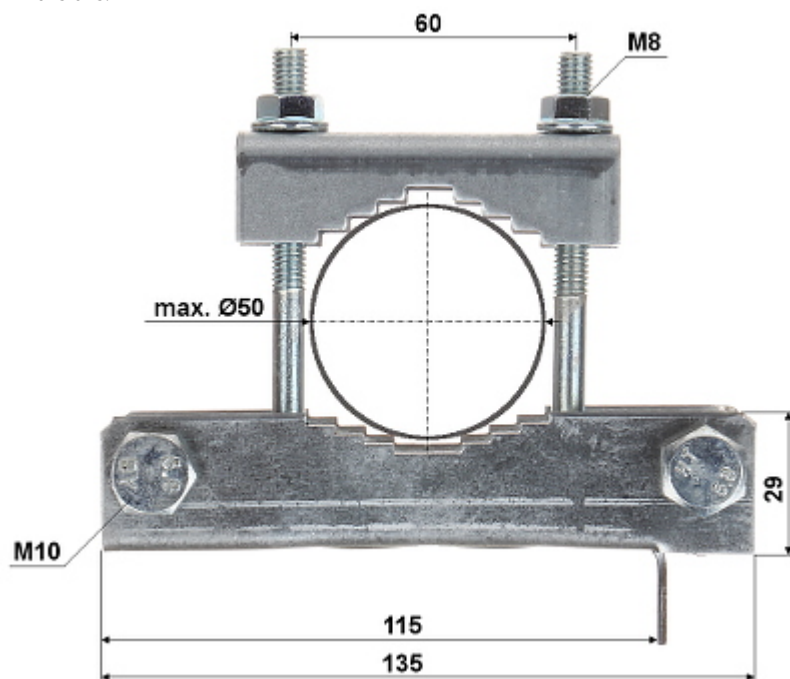
Connection diagram:



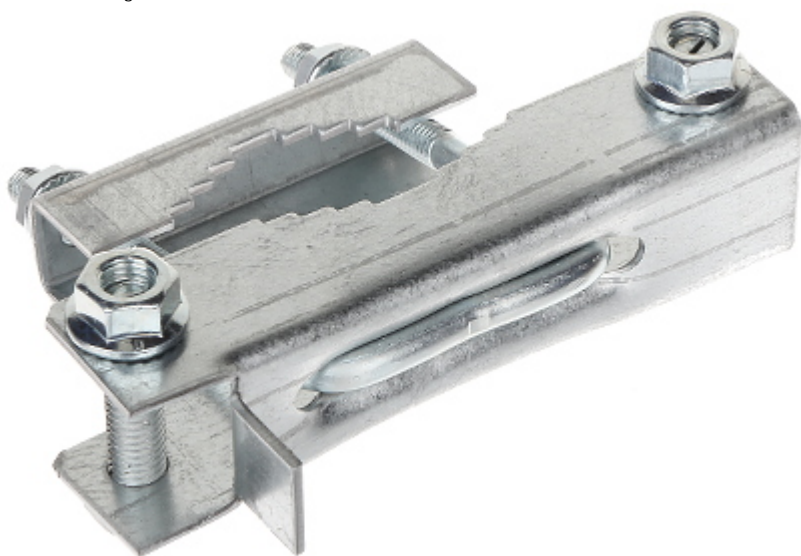
1) Steel strip

DELTA-OPTI Monika Matysiak; <https://www.delta.poznan.pl>
POL; 60-713 Poznań; Graniczna 10
e-mail: delta-opti@delta.poznan.pl; tel: +(48) 61 864 69 60

- 2) Chimney clamp
 - 3) Screw
 - 4) Antenna mast
 - 5) Steel strip inserted through the slit and wrapped
 - 6) Chimney
- Dimensions:



Mast mounting:



In the kit:



PACKAGE

Dimensions (L x W x H): 0x0x0 mm	Gross Weight: 0 kg
----------------------------------	--------------------

