

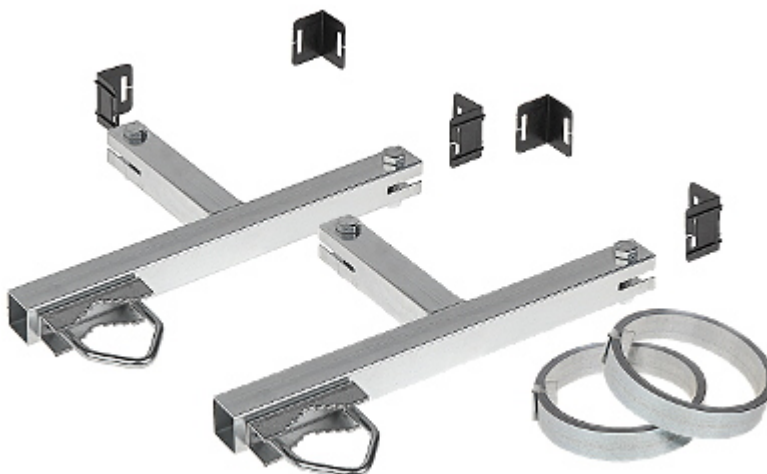
Code: OK-50W13

## CHIMNEY CLAMP OK-50W13

Net: 17.56 EUR Gross: 21.60 EUR

Clamp with reinforced profile. Allows to mount large antenna constructions or SAT dishes to a chimney.

Strip mounting: Place one of the strip end into cut screw, wrap about 30 cm of strip and clamp it with a nut. Tight such mounted strip on the other end using a screw (min. 30cm strip should be wrapped). After it clamp the strip on the other end with a nut.

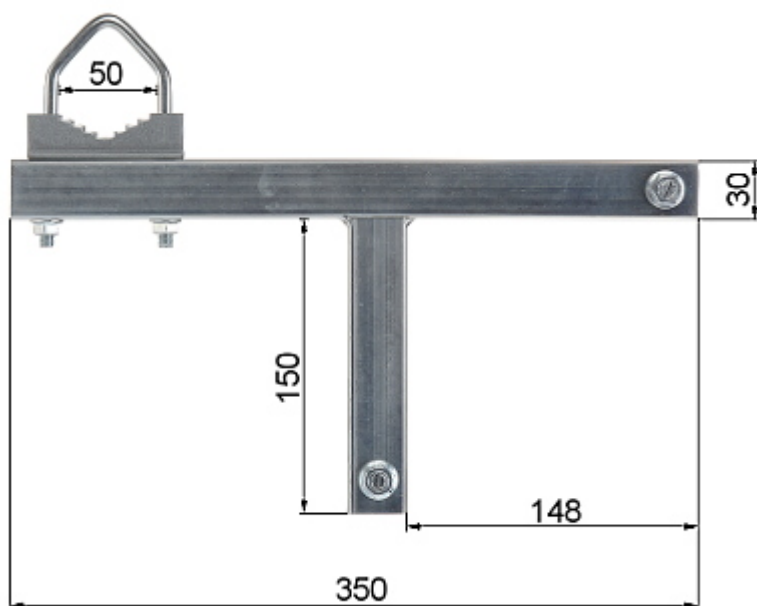


### SPECIFICATION

Material:	Steel galvanized
Mast diameter:	max. 50 mm
Strip length:	2 x 5 m
Strip thickness:	0.5 mm
Main features:	<ul style="list-style-type: none"><li>• Distance from mast to the chimney : 13 cm</li><li>• Galvanized</li><li>• Reinforced profile</li></ul>
Manufacturer / Brand:	DELTA
Guarantee:	<b>3 years</b>

### PRESENTATION

Dimensions:

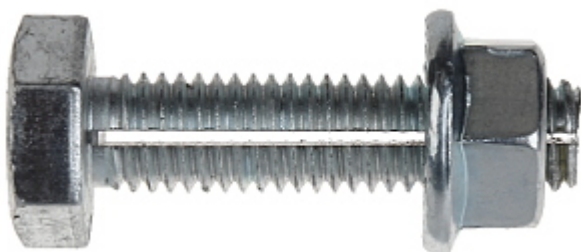


Mast mounting:

DELTA-OPTI Monika Matysiak; <https://www.delta.poznan.pl>  
POL; 60-713 Poznań; Graniczna 10  
e-mail: delta-opti@delta.poznan.pl; tel: +(48) 61 864 69 60



Tighten screw:



In the kit:



## PACKAGE

Dimensions (L x W x H): 0x0x0 mm	Gross Weight: 0 kg
----------------------------------	--------------------

