

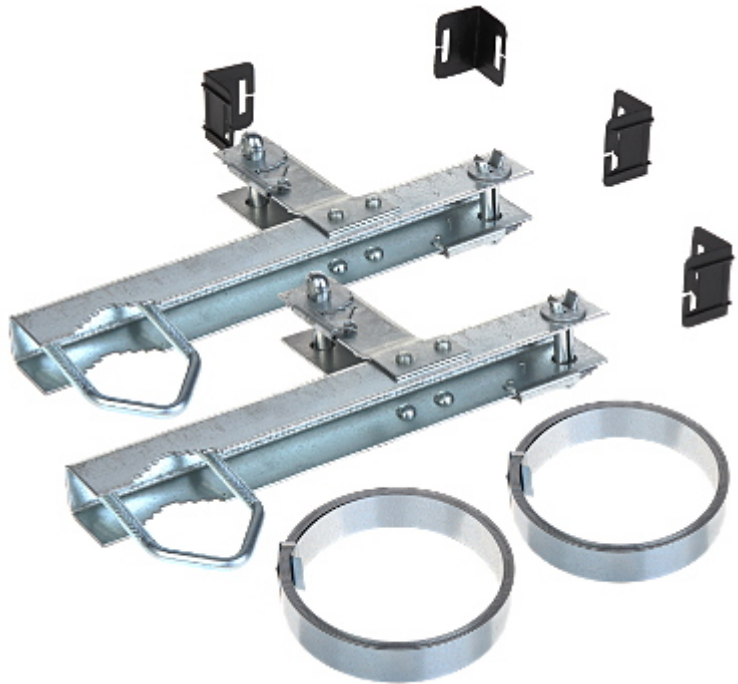
Code: OK-43T13

CHIMNEY CLAMP OK-43T13

Net: 12.81 EUR Gross: 15.76 EUR

Allows to mount large antenna constructions or SAT dishes to a chimney.

Mounting strip: Place the 30 cm of strip into cotter pin and wrap. Such mounted strip to the one end of the clamp, tight on the other end using a lock mechanism.

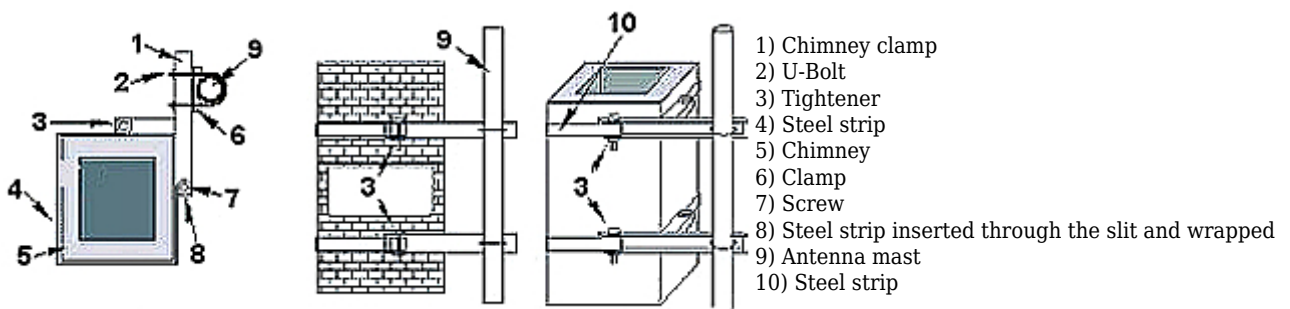


SPECIFICATION

Material:	Steel
Mast diameter:	max. 43 mm
Strip length:	2 x 5 m
Strip thickness:	0.5 mm
Strip width:	26 mm
Main features:	<ul style="list-style-type: none">• Distance from mast to the chimney : 0.15 m• Galvanized
Manufacturer / Brand:	DELTA
Guarantee:	3 years

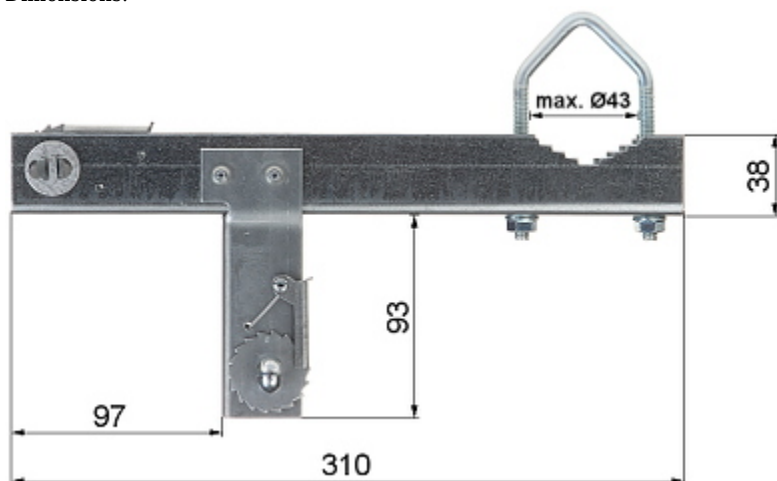
PRESENTATION

Connection diagram:

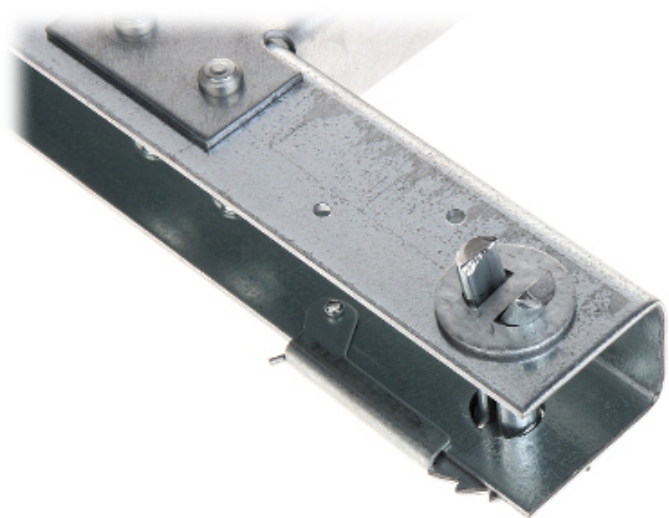
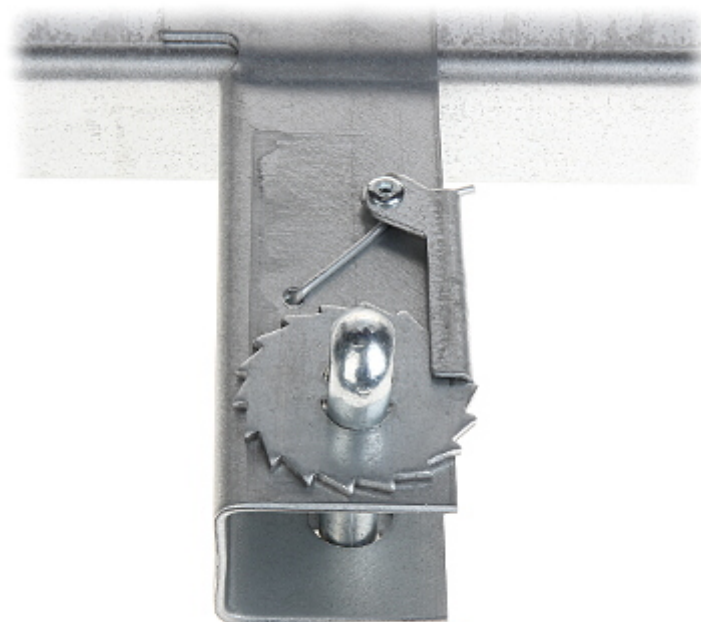


DELTA-OPTI Monika Matysiak; <https://www.delta.poznan.pl>
POL; 60-713 Poznań; Graniczna 10
e-mail: delta-opti@delta.poznan.pl; tel: +(48) 61 864 69 60

Dimensions:



Tighten lock:



Mast mounting:



In the kit:



OUR TESTS

The steel strip tightening, which mounts the clamp can be made one hand using a standard screw driver:



OUR OPINIONS



- Easy to mount, thanks to use a tighten lock mechanism of the steel strip.