

Code: BCS-B-DT/MT

CAMERA BRACKET **BCS-B-DT/MT** BCS BASIC

Net: **9.55 EUR** Gross: **11.75 EUR**

Bracket for cameras. Designed to dome cameras.

It can be used to vandal-proof cameras installation. It has very useful advantage, possibility to hide camera cables and connectors.



SPECIFICATION

Neck diameter:	Ø 118 mm
Suitable for cameras:	BCS BASIC
Material:	Aluminum
Color:	Graphite
Distance from mounting surface:	47 mm
Weight:	0.26 kg
Dimensions:	Ø 118 x 47 mm
Manufacturer / Brand:	BCS BASIC
Guarantee:	3 years

PRESENTATION

DELTA-OPTI Monika Matysiak; <https://www.delta.poznan.pl>
POL; 60-713 Poznań; Graniczna 10
e-mail: delta-opti@delta.poznan.pl; tel: +(48) 61 864 69 60

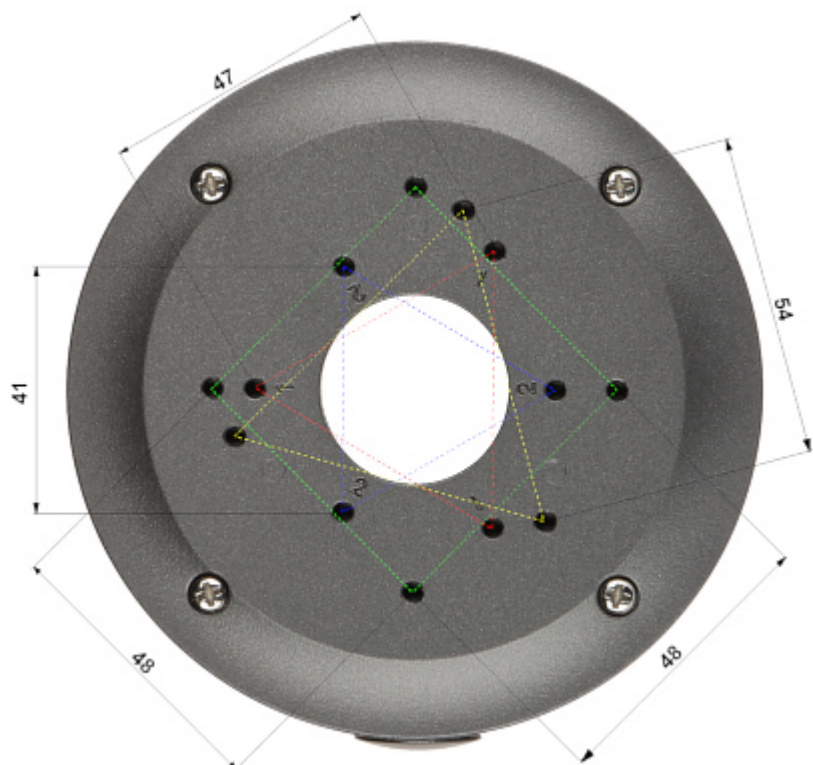


Internal view:

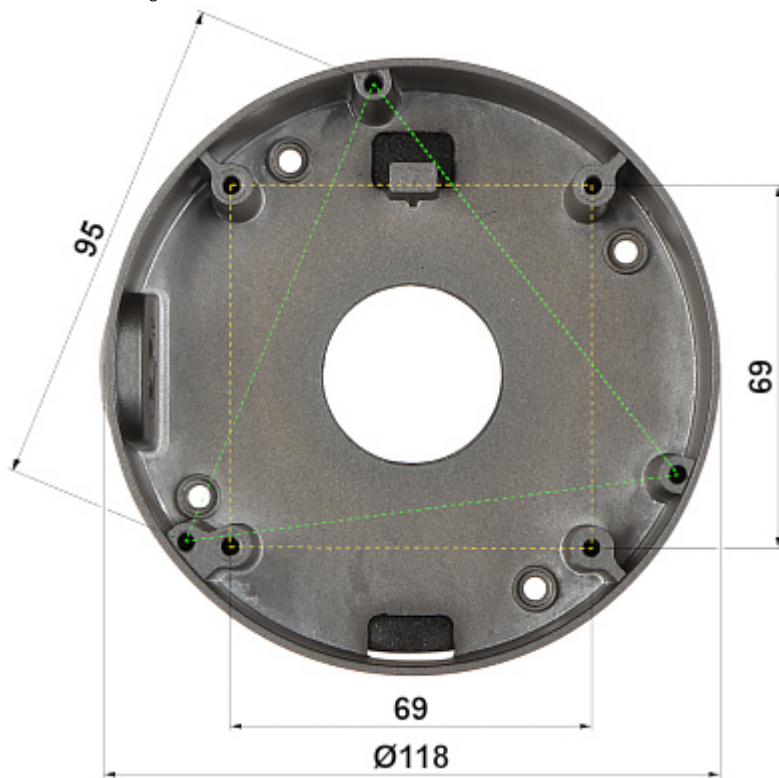


Camera mounting side view:

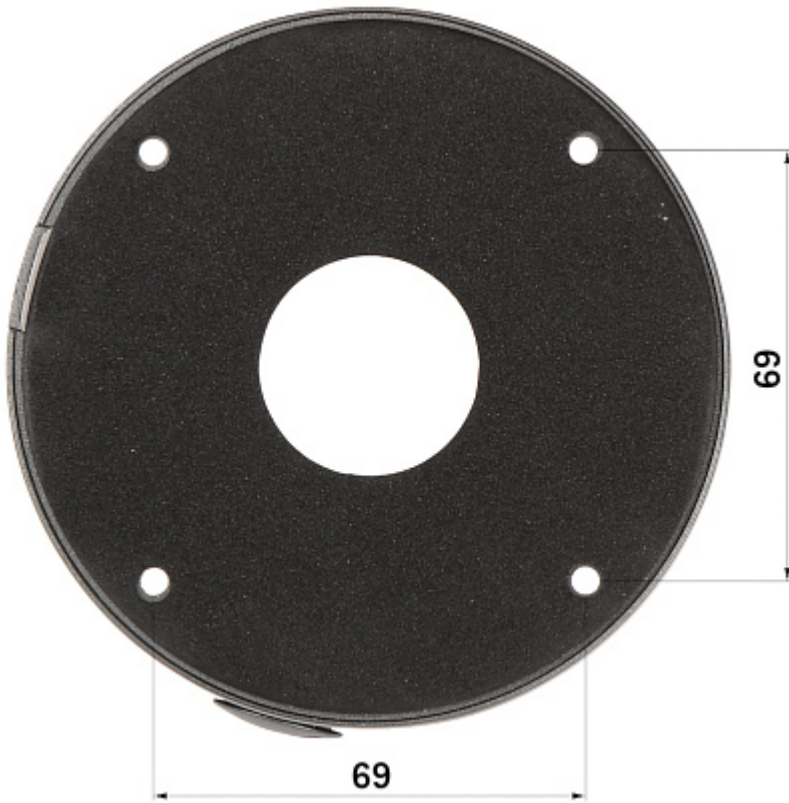




Camera mounting side view:



Wall mounting side view:



Side view:



In the kit:



PACKAGE

Dimensions (L x W x H): 0x0x0 mm	Gross Weight: 0 kg
----------------------------------	--------------------



DELTA-OPTI Monika Matysiak; <https://www.delta.poznan.pl>
POL; 60-713 Poznań; Graniczna 10
e-mail: delta-opti@delta.poznan.pl; tel: +(48) 61 864 69 60