

Code: BCS-V-ADE

CAMERA BRACKET **BCS-V-ADE** BCS View

Net: **16.98 EUR** Gross: **20.89 EUR**

Ceiling bracket for cameras. Designed to dome cameras.

It can be used to vandal-proof cameras installation. It has very useful advantage, possibility to hide camera cables and connectors.

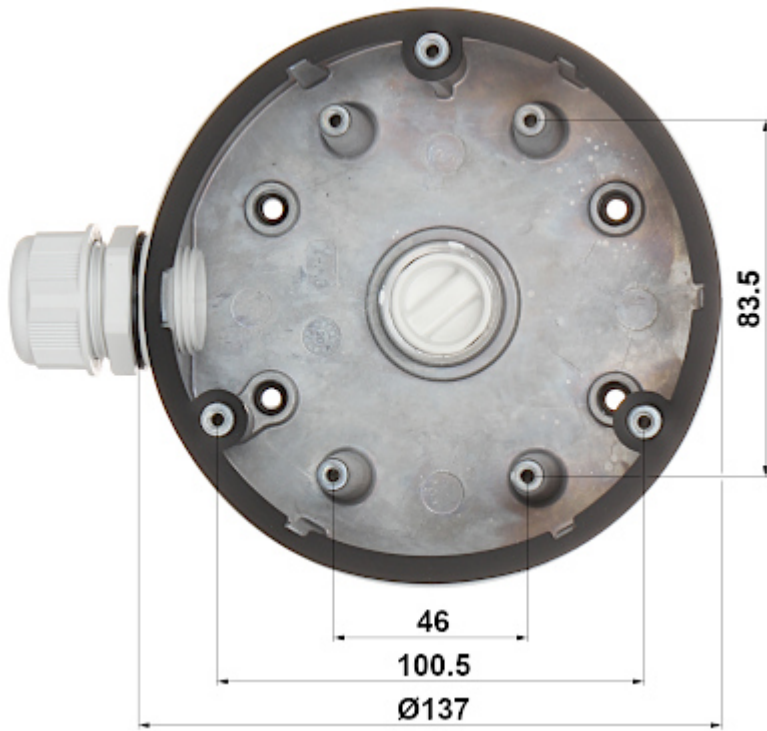


SPECIFICATION

Neck diameter:	Ø 137 mm
Suitable for cameras:	BCS View
Material:	Aluminum
Color:	White
Distance from mounting surface:	42 mm
Weight:	0.29 kg
Dimensions:	Ø 137 x 42 mm
Manufacturer / Brand:	BCS View
Guarantee:	3 years

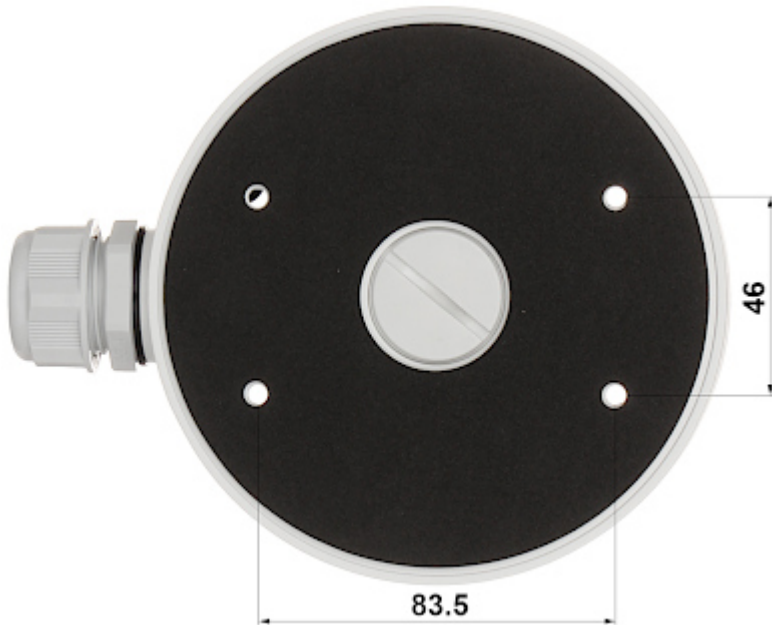
PRESENTATION

Camera mounting side view:

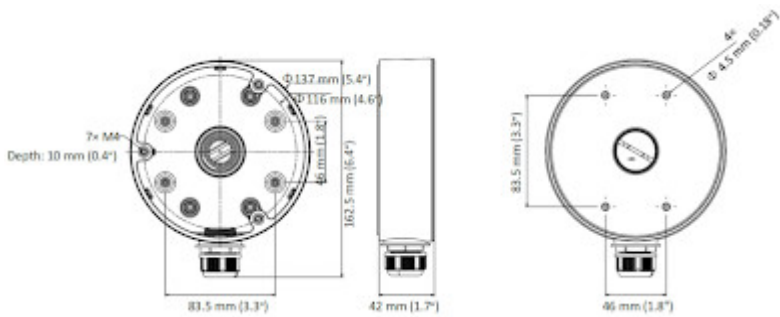


Wall mounting side view:





Dimensions:



In the kit:



PACKAGE

Dimensions (L x W x H): 0x0x0 mm	Gross Weight: 0 kg
----------------------------------	--------------------

