

Code: BD-539

ATE-CAM-AHD539HD CAMERA BRACKET **BD-539** AUTONE

Net: **3.76 EUR** Gross: **4.62 EUR**

The BD-539 bracket is dedicated to work with the ATE-CAM-AHD539HD camera. The bracket design allows the camera to be installed in many configurations. The clamp attached to the bracket allows you to mount the bracket with the camera on a pipe or rod.



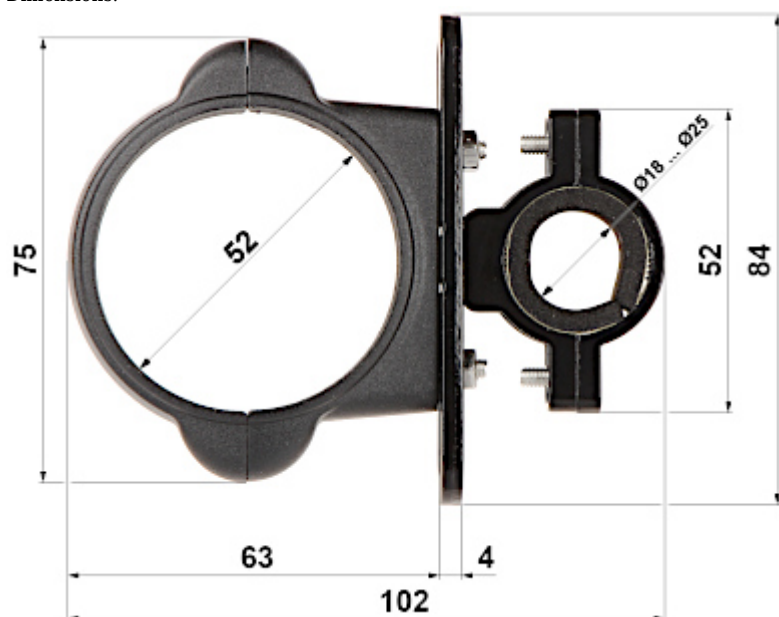
SPECIFICATION

Material:	Steel + Aluminum
Color:	Black
Weight:	0.09 kg
Dimensions:	102 x 85 x 20 mm
Manufacturer / Brand:	AUTONE
Guarantee:	2 years

PRESENTATION



Dimensions:



Example of application:



In the kit:

