

Code: OZP-100

## DISTANCE CLAMP **OZP-100**

Net: 7.47 EUR Gross: 9.19 EUR



Clamp to mount two masts parallel to each other.

### SPECIFICATION

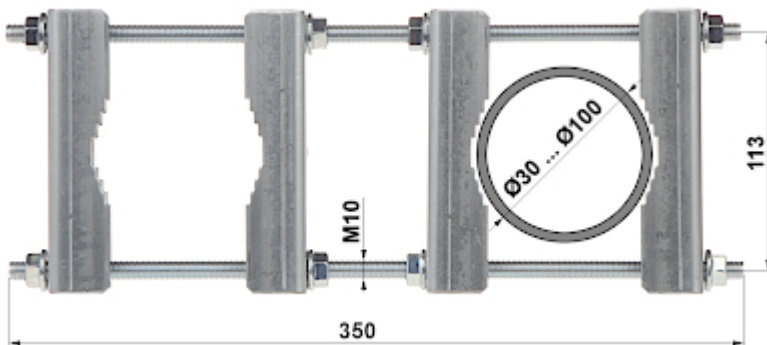
Material:	Steel galvanized
Mast diameter:	max. 100 mm
Main features:	The whole galvanized
Manufacturer / Brand:	DELTA
Guarantee:	<b>3 years</b>

### PRESENTATION

Side view:



Dimensions:



### PACKAGE

Dimensions (L x W x H): 0x0x0 mm	Gross Weight: 0 kg
----------------------------------	--------------------

DELTA-OPTI Monika Matysiak; <https://www.delta.poznan.pl>  
POL; 60-713 Poznań; Graniczna 10  
e-mail: delta-opti@delta.poznan.pl; tel: +(48) 61 864 69 60



DELTA-OPTI Monika Matysiak; <https://www.delta.poznan.pl>  
POL; 60-713 Poznań; Graniczna 10  
e-mail: [delta-opti@delta.poznan.pl](mailto:delta-opti@delta.poznan.pl); tel: +(48) 61 864 69 60