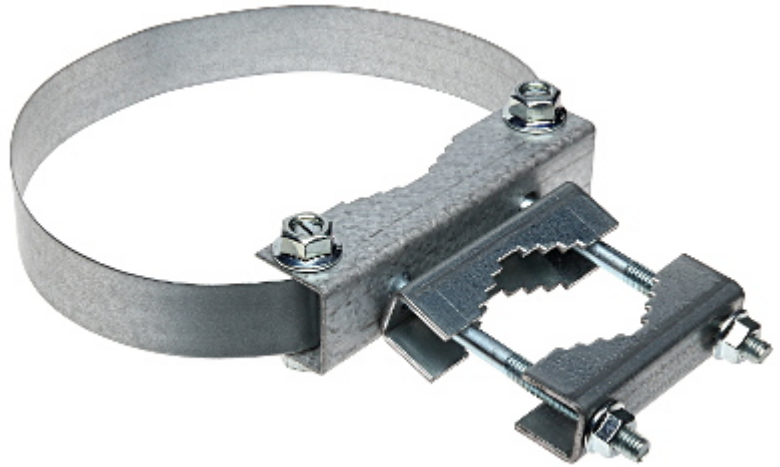


Code: OR-50

## U-BOLT CLAMP OR-50

Net: 4.88 USD Gross: 6.00 USD

Clamp allows to mount antenna masts to the tube or other construction elements with large perimeters.

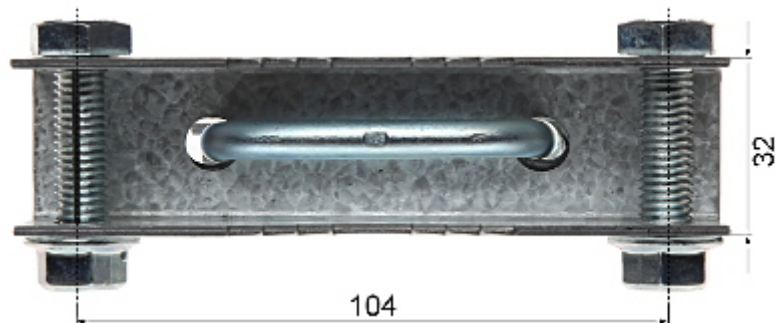


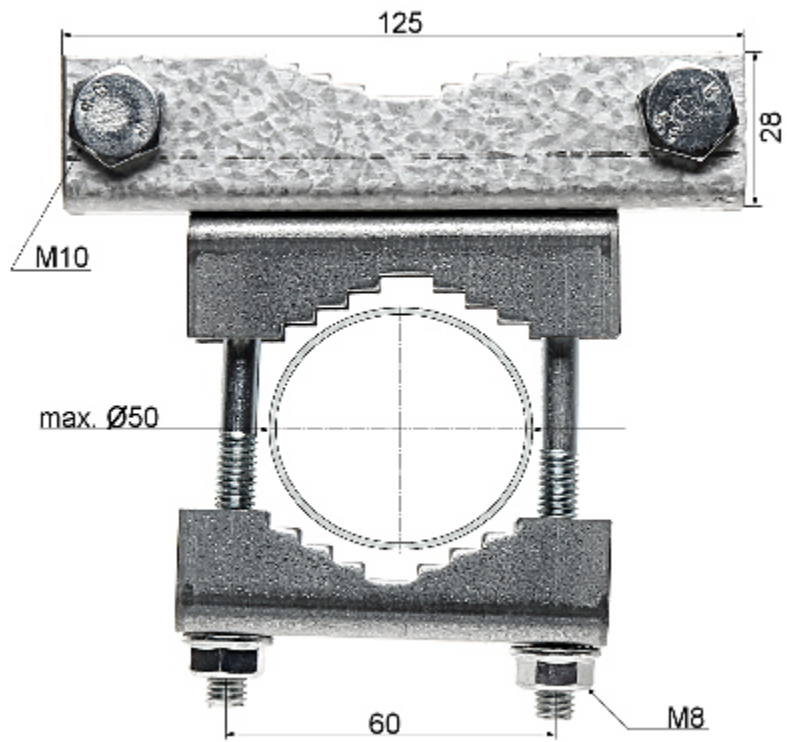
### SPECIFICATION

Material:	Metal
Mast diameter:	max. 50 mm
U-bolt diameter:	Ø 8 mm
Strip width:	26 mm
Main features:	<ul style="list-style-type: none"><li>• Band of steel strip max. Ø 500 mm : Hot-dip galvanized</li><li>• The whole galvanized</li></ul>
Manufacturer / Brand:	DELTA
Guarantee:	<b>3 years</b>

### PRESENTATION

Dimensions:





In the kit:

