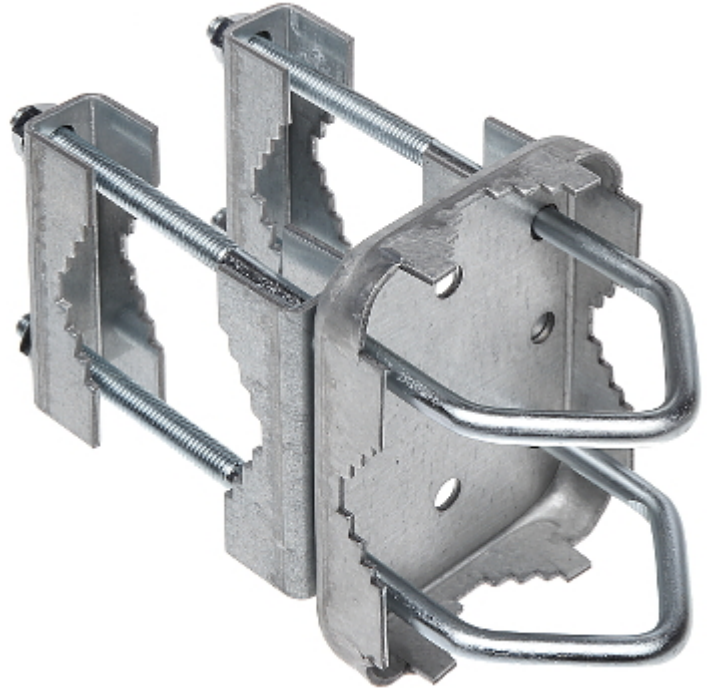


Code: OZK-50

CROSS MASTS CLAMP OZK-50

Net: 4.21 EUR Gross: 5.18 EUR

Clamp allows to mount the masts at right angles.

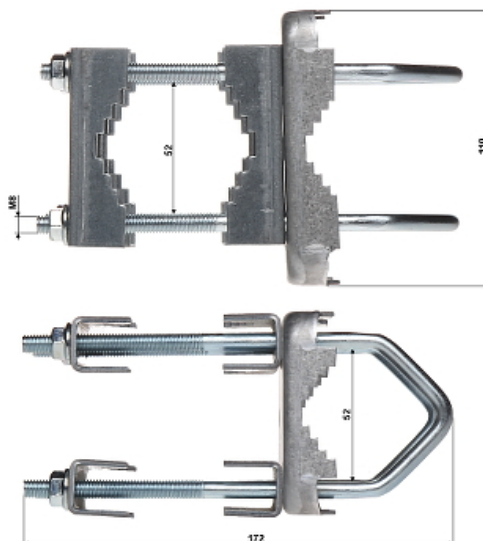


SPECIFICATION

Material:	Metal
Mast diameter:	max. 50 mm
U-bolt diameter:	Ø 8 mm
Main features:	The whole galvanized
Manufacturer / Brand:	DELTA
Guarantee:	3 years

PRESENTATION

Dimensions:



DELTA-OPTI Monika Matysiak; <https://www.delta.poznan.pl>
POL; 60-713 Poznań; Graniczna 10
e-mail: delta-opti@delta.poznan.pl; tel: +(48) 61 864 69 60



DELTA-OPTI Monika Matysiak; <https://www.delta.poznan.pl>
POL; 60-713 Poznań; Graniczna 10
e-mail: delta-opti@delta.poznan.pl; tel: +(48) 61 864 69 60