

Code: KL-50

CLAMP KL-50

Net: 0.37 EUR Gross: 0.46 EUR

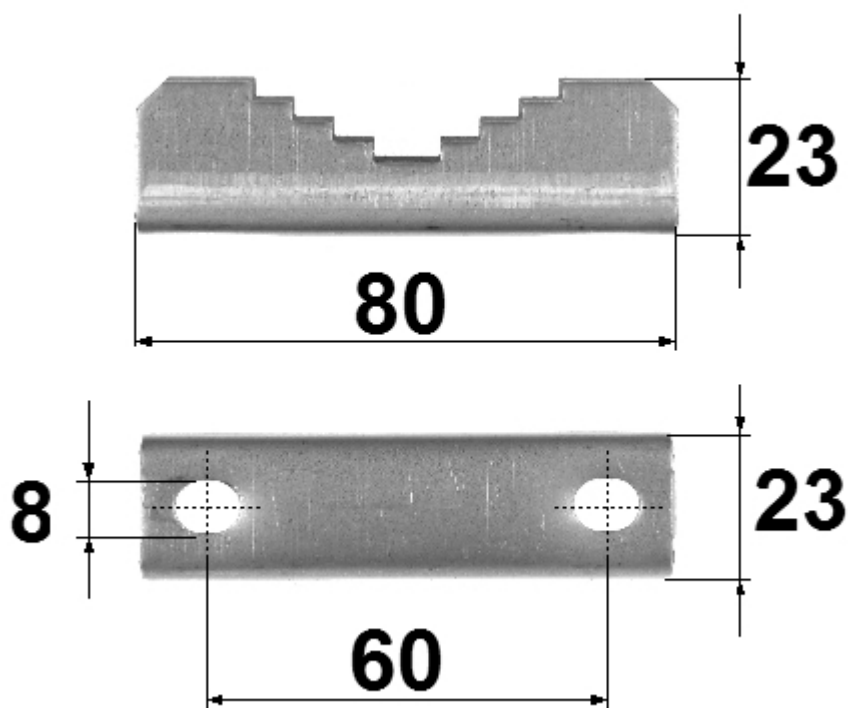
The KL-50 is the element of clamp.



SPECIFICATION

Material:	Steel galvanized - Hot-dip galvanized
Mast diameter:	max. 50 mm
U-bolt diameter:	max. Ø 8 mm
Main features:	<ul style="list-style-type: none">• Plate thickness : 2.5 mm• Whole element is hot-dip galvanized
Manufacturer / Brand:	DELTA
Guarantee:	3 years

PRESENTATION



PACKAGE

Dimensions (L x W x H): 0x0x0 mm	Gross Weight: 0 kg
----------------------------------	--------------------

