

Code: IPC-HFW2439S-SA-LED-0280B-S2

# IP CAMERA **IPC-HFW2439S-SA-LED-0280B-S2** Full-Color - 4 Mpx 2.8 mm DAHUA

Net: **197.54 EUR** Gross: **242.97 EUR**

IP camera with efficient H.264 / H.265 image compression algorithm for clear and smooth video streaming at maximal resolution of 4 MPx.

PoE powering possibility, compatible with the 802.3af standard makes the device more universal and easier to install. The FULL-COLOR series camera does not have a black and white mode, but allows you to get a clear, color image even in very poor lighting conditions.



## SPECIFICATION

Standard:	TCP/IP
Sensor:	1/3 " CMOS
Matrix size:	4 Mpx
Resolution:	2688 x 1520 - 4 Mpx , 2560 x 1440 - 3.7 Mpx , 2304 x 1296 - 3 Mpx , 1920 x 1080 - 1080p , 1280 x 960 - 1.3 Mpx , 1280 x 720 - 720p
Lens:	2.8 mm
View angle:	<ul style="list-style-type: none"><li>• 96 ° (manufacturer data)</li><li>• 98 ° (our tests result)</li></ul>
Min. illumination:	0.004 Lux / F1.0 (color)
White light LED illuminator range:	30 m
S/N ratio:	> 56 dB
RS-485 interface:	—
Memory card slot:	Micro SD memory cards up to 256GB support (possible local recording)
Image compression method:	H.265+ / H.265 / H.264+ / H.264 / MJPEG
Alarm inputs / outputs:	—
Audio:	<ul style="list-style-type: none"><li>• Microphone built-in</li><li>• Audio transmission via network</li><li>• Audio detection</li></ul>

DELTA-OPTI Monika Matysiak; <https://www.delta.poznan.pl>  
POL; 60-713 Poznań; Graniczna 10  
e-mail: [delta-opti@delta.poznan.pl](mailto:delta-opti@delta.poznan.pl); tel: +(48) 61 864 69 60

Main stream frame rate:	20 fps @ 4 Mpx 25 fps @ 3.7 Mpx
Network interface:	10/100 Base-T (RJ-45)
Network protocols:	IPv4/IPv6, HTTP, TCP, UDP, ARP, RTP, RTSP, RTCP, RTMP, SMTP, FTP, SFTP, DHCP, DNS, DDNS, QoS, UPnP, NTP, Multicast, ICMP, IGMP, NFS, PPPoE, Bonjour
WEB Server:	Built-in
Max. number of on-line users:	20
ONVIF:	19.12
Main features:	<ul style="list-style-type: none"> <li>• WDR - 120 dB - Wide Dynamic Range</li> <li>• 3D-DNR - Digital Noise Reduction</li> <li>• ROI - improve the quality of selected parts of image</li> <li>• BLC/HLC - Back Light / High Light Compensation</li> <li>• Possibility to change the resolution, quality and bit rate</li> <li>• Motion Detection</li> <li>• Configurable Privacy Zones</li> <li>• Mirror - Mirror image</li> <li>• IVS analysis : intrusion, crossing the line (tripwire)</li> </ul>
Power supply:	<ul style="list-style-type: none"> <li>• PoE (802.3af),</li> <li>• 12 V DC / 520 mA</li> </ul>
Power consumption:	< 6.2 W
Mobile phones support:	Port no.: 37777 or access by a cloud (P2P) <ul style="list-style-type: none"> <li>• Android: Free application <a href="#">DMSS</a></li> <li>• iOS (iPhone): Free application <a href="#">DMSS</a></li> </ul>
Default IP address:	192.168.1.108
Default admin user / password:	admin / - The administrator password should be set at the first start
Web browser access ports:	80, 37777
PC client access ports:	37777
Mobile client access ports:	37777
Port ONVIF:	80
RTSP URL:	rtsp://admin:haslo@192.168.1.108:554/cam/realmonitor?channel=1&subtype=0 - Main stream rtsp://admin:haslo@192.168.1.108:554/cam/realmonitor?channel=1&subtype=1 - Sub stream
Housing:	Compact - Metal
Color:	White + Black
"Index of Protection":	IP67
Vandal-proof:	—
Operation temp:	-40 °C ... 60 °C
Weight:	0.47 kg
Dimensions:	Ø 70 x 166 mm
Supported languages:	Polish, English, Czech, French, Spanish, Dutch, German, Russian, Portuguese, Italian
Manufacturer / Brand:	DAHUA
Guarantee:	<b>3 years</b>

## PRESENTATION

Front view:



DELTA-OPTI Monika Matysiak; <https://www.delta.poznan.pl>  
 POL; 60-713 Poznań; Graniczna 10  
 e-mail: [delta-opti@delta.poznan.pl](mailto:delta-opti@delta.poznan.pl); tel: +(48) 61 864 69 60



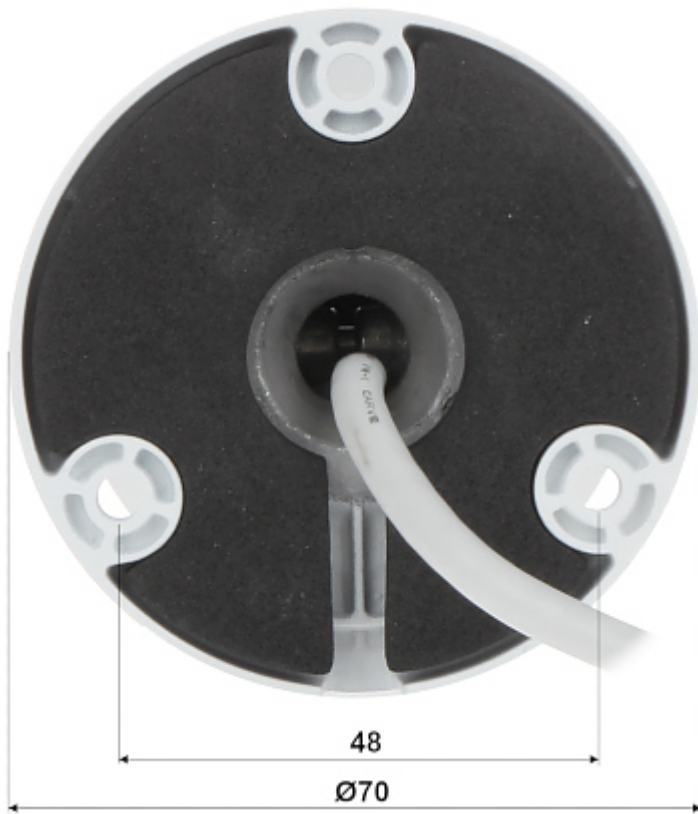
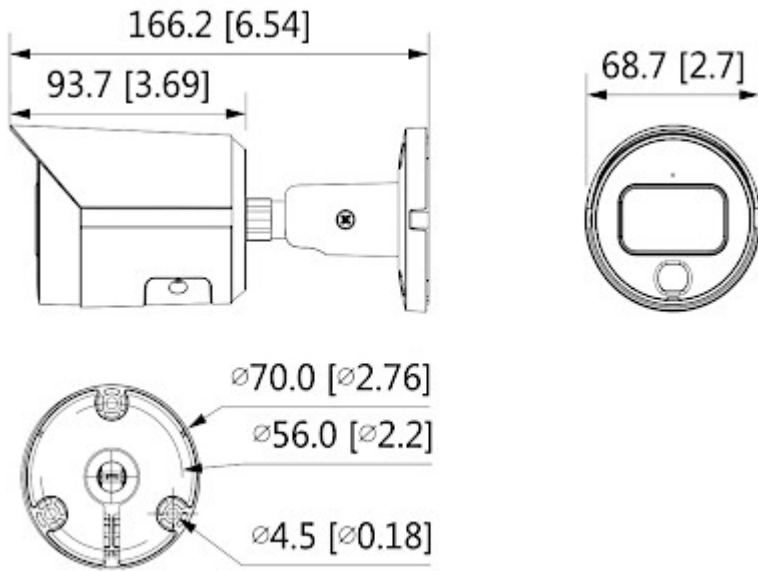
Side view:



Memory card slot:



Dimensions:



In the kit:



DELTA-OPTI Monika Matysiak; <https://www.delta.poznan.pl>  
 POL; 60-713 Poznań; Graniczna 10  
 e-mail: delta-opti@delta.poznan.pl; tel: +(48) 61 864 69 60

## OUR TESTS

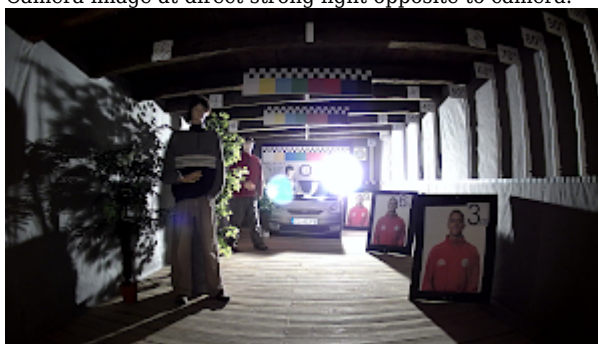
Camera image at artificial illumination (about 30Lux):



Camera image at night conditions with internal built-in LED illuminator on:



Camera image at direct strong light opposite to camera:



## OUR OPINIONS



- Very good sensitivity of the sensor - image is sharp even at minimal illumination.

## PACKAGE

Dimensions (L x W x H): 0x0x0 mm	Gross Weight: 0 kg
----------------------------------	--------------------



DELTA-OPTI Monika Matysiak; <https://www.delta.poznan.pl>  
POL; 60-713 Poznań; Graniczna 10  
e-mail: delta-opti@delta.poznan.pl; tel: +(48) 61 864 69 60