

Code: DS-2CD2327G2-L(2.8MM)(C)

# IP CAMERA DS-2CD2327G2-L(2.8MM)(C) ColorVu - 1080p Hikvision

Net: 273.31 EUR Gross: 273.31 EUR



IP camera with efficient H.265 / H.264 image compression algorithm for clear and smooth video streaming at maximal resolution of 1080p.

PoE powering possibility, compatible with the 802.3af standard makes the device more universal and easier to install.

Camera is according to IP67 Index of Protection norm.

**Attention!** The camera of the ColorVu series does not have a black and white mode. Thanks to fit the camera in a very sensitive sensor and the LED illuminator emitting visible light in white, the device allows to obtain a clear, colorful image in all lighting conditions.

## SPECIFICATION

|                                    |  |
|------------------------------------|--|
| Standard:                          | TCP/IP   |
| Sensor:                            | 1/2.8 " Progressive Scan CMOS  |
| Matrix size:                       | 2.1 Mpx  |
| Resolution:                        | 1920 x 1080 - 1080p<br>1280 x 720 - 720p   |
| Lens:                              | 2.8 mm   |
| View angle:                        | • 107 ° (manufacturer data)<br>• 102 ° (our tests result)  |
| White light LED illuminator range: | 30 m   |
| Memory card slot:                  | Micro SD memory cards up to 256GB support (possible local recording)   |
| Image compression method:          | H.265+ / H.265 / H.264+ / H.264 / MJPEG  |
| Alarm inputs / outputs:            | —  |
| Audio:                             | —  |
| Main stream frame rate:            | 25 fps @ 1080p   |
| Network interface:                 | 10/100 Base-T (RJ-45)  |
| Network protocols:                 | TCP/IP, ICMP, HTTP, HTTPS, FTP, DHCP, DNS, DDNS, RTP, RTSP, NTP, UPnP, SMTP, IGMP, IEEE 802.1x, QoS, IPv4/IPv6, UDP, Bonjour, SSL / TLS, PPPoE, SNMP |
| WEB Server:                        | Built-in   |
| Max. number of on-line users:      | 6  |



DELTA-OPTI Monika Matysiak; <https://www.delta.poznan.pl>  
POL; 60-713 Poznań; Graniczna 10  
e-mail: delta-opti@delta.poznan.pl; tel: +(48) 61 864 69 60

|                                |  |
|--------------------------------|--|
| ONVIF:                         | 18.12  |
| Main features:                 | <ul style="list-style-type: none"> <li>• Possibility to turn off the LED illuminator</li> <li>• WDR - 120 dB - Wide Dynamic Range</li> <li>• 3D-DNR - Digital Noise Reduction</li> <li>• ROI - improve the quality of selected parts of image</li> <li>• Anti-Flicker - The technology eliminates the tiring eyes flickering image effect</li> <li>• BLC - Back Light Compensation</li> <li>• HLC - High Light Compensation (spot)</li> <li>• ANR - Automatic Network Replenishment allows to save image to the card when the network connection with DVR is break (network failure) and next synchronize its</li> <li>• NAS - Network Attached Storage support</li> <li>• Possibility to change the resolution, quality and bit rate</li> <li>• Mirror - Mirror image</li> <li>• Motion Detection</li> <li>• Configurable Privacy Zones</li> <li>• Sharpness - sharper image outlines</li> <li>• video tampering</li> <li>• Intelligent image analysis : crossing the line (tripwire), intrusion, detection of entry into the area / exit from the area, classification of people and vehicles, scene changing, face detection</li> </ul> |
| Mobile phones support:         | Port no.: 8000 or access by a cloud (P2P) <ul style="list-style-type: none"> <li>• Android: Free application <a href="#">Hik-Connect</a></li> <li>• iOS: Free application <a href="#">Hik-Connect</a></li> </ul>   |
| Default IP address:            | 192.168.1.64   |
| Default admin user / password: | admin / -<br>The administrator password should be set at the first start   |
| Web browser access ports:      | 80   |
| PC client access ports:        | Port no.: 8000 or access by a cloud (P2P) - iVMS-4200 application  |
| Mobile client access ports:    | 8000   |
| Port ONVIF:                    | 80   |
| RTSP URL:                      | <ul style="list-style-type: none"> <li>• Main stream : rtsp://user:password@192.168.1.64:554/Streaming/Channels/101/</li> <li>• Sub stream : rtsp://user:password@192.168.1.64:554/Streaming/Channels/102/</li> </ul>  |
| Power supply:                  | <ul style="list-style-type: none"> <li>• PoE (802.3af),</li> <li>• 12 V DC / 500 mA</li> </ul>   |
| Power consumption:             | <ul style="list-style-type: none"> <li>≤ 7 W @ PoE</li> <li>≤ 6 W @ 12 V DC</li> </ul>   |
| Housing:                       | Dome, Aluminum + Plastic   |
| Color:                         | White  |
| "Index of Protection":         | IP67   |
| Vandal-proof:                  | —  |
| Operation temp:                | -30 °C ... 60 °C   |
| Weight:                        | 0.72 kg  |
| Dimensions:                    | Ø 138 x 125 mm   |
| Supported languages:           | Polish, English, Bulgarian, Croatian, Czech, Danish, Estonian, Finnish, French, Greek, Spanish, Dutch, Lithuanian, Latvian, German, Norwegian, Portuguese, Russian, Romanian, Serbian, Slovak, Slovenian, Swedish, Turkish, Hungarian, Italian   |
| Manufacturer / Brand:          | Hikvision  |
| SAP Code:                      | 311315159  |
| Guarantee:                     | <b>3 years</b>   |

## PRESENTATION

Camera is out from clamping ring:



DELTA-OPTI Monika Matysiak; <https://www.delta.poznan.pl>  
 POL; 60-713 Poznań; Graniczna 10  
 e-mail: delta-opti@delta.poznan.pl; tel: +(48) 61 864 69 60

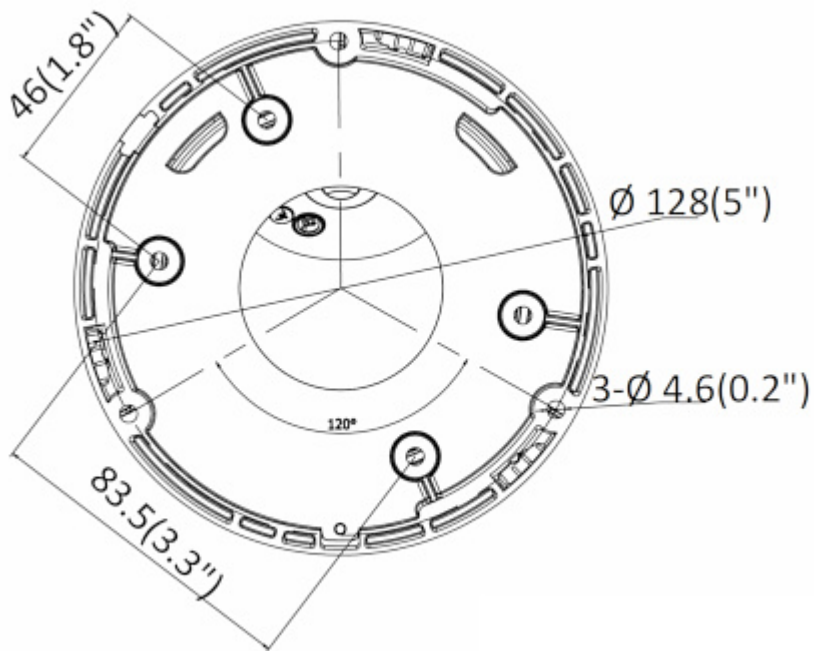


Memory card slot and "Reset" button:

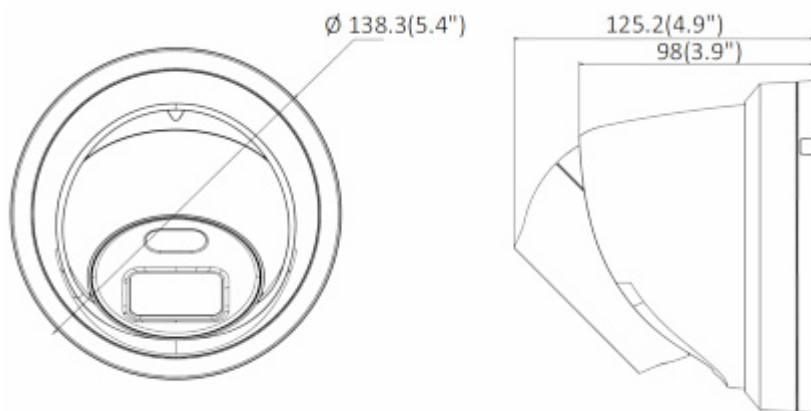


Mounting side view:





Camera dimensions:



In the kit:



## OUR TESTS

Camera image at artificial illumination (about 30Lux):



Camera image at night conditions with internal built-in LED illuminator on:



Camera image at direct strong light opposite to camera:



## PACKAGE

|                                  |                    |
|----------------------------------|--------------------|
| Dimensions (L x W x H): 0x0x0 mm | Gross Weight: 0 kg |
|----------------------------------|--------------------|