

Code: IPC-HDW2449T-S-IL-0280B

IP CAMERA **IPC-HDW2449T-S-IL-0280B** WizSense - 4 Mpx 2.8 mm DAHUA

Net: **223.26 EUR** Gross: **274.61 EUR**



IP camera with efficient H.264 / H.265 image compression algorithm for clear and smooth video streaming at maximal resolution of 4 MPx.

The device is equipped with Smart Dual Illumination technology, thanks to which the user has a choice of white light mode and IR (infrared) mode. When Smart Dual Illumination is active, the white light will turn on automatically only when an object is detected in the monitored area, which effectively improves the image quality.

PoE powering possibility, compatible with the 802.3af standard makes the device more universal and easier to install.

SPECIFICATION

Standard:	TCP/IP
Sensor:	1/2.9 " Progressive Scan CMOS
Matrix size:	4 Mpx
Resolution:	2688 x 1520 - 4 Mpx , 2560 x 1440 - 3.7 Mpx , 2304 x 1296 - 3 Mpx , 1920 x 1080 - 1080p , 1280 x 960 - 1.3 Mpx , 1280 x 720 - 720p
Lens:	2.8 mm
View angle:	<ul style="list-style-type: none">• 95 ° (manufacturer data)• 101 ° (our tests result)
White light LED illuminator range:	30 m
Range of IR illumination:	30 m
Image compression method:	H.265+ / H.265 / H.264+ / H.264 / H.264H / H.264B / MJPEG
Memory card slot:	Micro SD memory cards up to 256GB support (possible local recording)
RS-485 interface:	—
Alarm inputs / outputs:	—
Audio:	Microphone built-in
Main stream frame rate:	20 fps @ 4 Mpx 25 @ 3.7 Mpx

DELTA-OPTI Monika Matysiak; <https://www.delta.poznan.pl>
POL; 60-713 Poznań; Graniczna 10
e-mail: delta-opti@delta.poznan.pl; tel: +(48) 61 864 69 60

Network interface:	10/100 Base-T (RJ-45)
Network protocols:	IPv4/IPv6, HTTP, TCP, UDP, ARP, RTP, RTSP, RTCP, RTMP, SMTP, FTP, SFTP, DHCP, DNS, DDNS, NTP, Multicast, ICMP, IGMP
WEB Server:	Built-in
Max. number of on-line users:	6
ONVIF:	21.06
Mobile phones support:	Port no.: 37777 or access by a cloud (P2P) <ul style="list-style-type: none"> • Android: Free application DMSS • iOS (iPhone): Free application DMSS
Default IP address:	192.168.1.108
Default admin user / password:	admin / - The administrator password should be set at the first start
Web browser access ports:	80, 37777
PC client access ports:	37777
Mobile client access ports:	37777
Port ONVIF:	80
RTSP URL:	rtsp://admin:hasło@192.168.1.108:554/cam/realmonitor?channel=1&subtype=0 - Main stream rtsp://admin:hasło@192.168.1.108:554/cam/realmonitor?channel=1&subtype=1 - Sub stream
Main features:	<ul style="list-style-type: none"> • WDR - 120 dB - Wide Dynamic Range • 3D-DNR - Digital Noise Reduction • ROI - improve the quality of selected parts of image • BLC/HLC - Back Light / High Light Compensation • Possibility to change the resolution, quality and bit rate • Day/Night mode (color/b&w/auto) • ICR - Movable InfraRed filter • WB - White Balance (ATW/AWB/manual/indoor/outdoor) • AGC - Automatic Gain Control • Motion Detection • Configurable Privacy Zones • Mirror - Mirror image • Full Color - colorful night mode • SMD PLUS - searching for an object classified as: human, motor vehicle • IVS analysis : intrusion, crossing the line (tripwire) - classification of people and vehicles video sabotage
Housing:	Dome - Metal + Plastic
Color:	White
"Index of Protection":	IP67
Vandal-proof:	—
Power supply:	<ul style="list-style-type: none"> • PoE (802.3af), • 12 V DC / 330 mA
Power consumption:	<ul style="list-style-type: none"> • ≤ 4.4 W @ 12 V DC • ≤ 5.2 W @ PoE
Operation temp:	-40 °C ... 60 °C
Weight:	0.39 kg
Dimensions:	Ø 110 x 101 mm
Supported languages:	Polish, English, Czech, French, Spanish, Dutch, German, Russian, Portuguese, Romanian, Turkish, Ukrainian, Hungarian, Italian
Manufacturer / Brand:	DAHUA
Guarantee:	3 years

PRESENTATION



DELTA-OPTI Monika Matysiak; <https://www.delta.poznan.pl>
POL; 60-713 Poznań; Graniczna 10
e-mail: delta-opti@delta.poznan.pl; tel: +(48) 61 864 69 60

Camera is out from clamping ring:

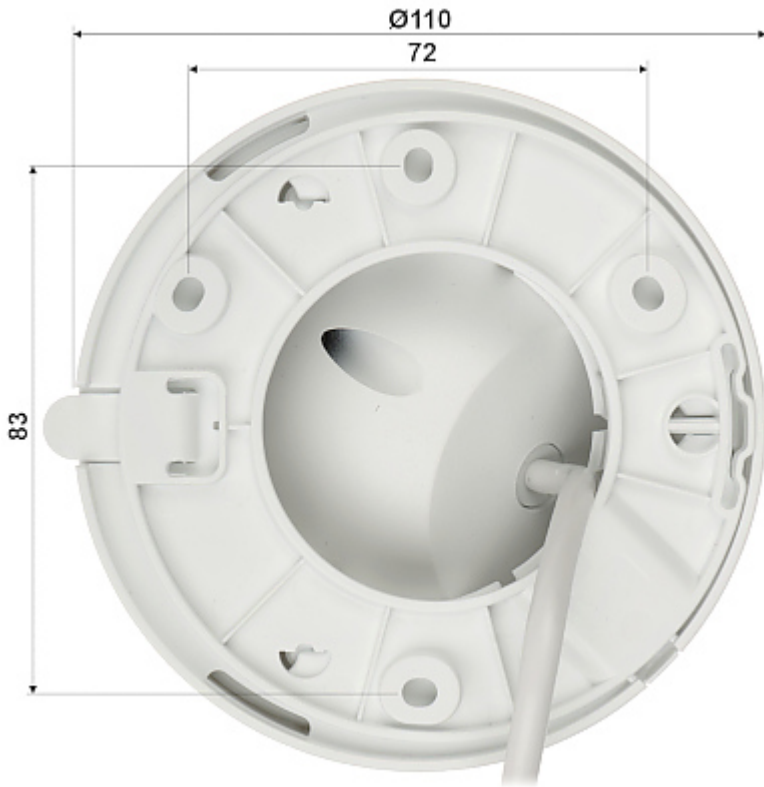


Memory card slot and "Reset" button:



Camera mounting side view:

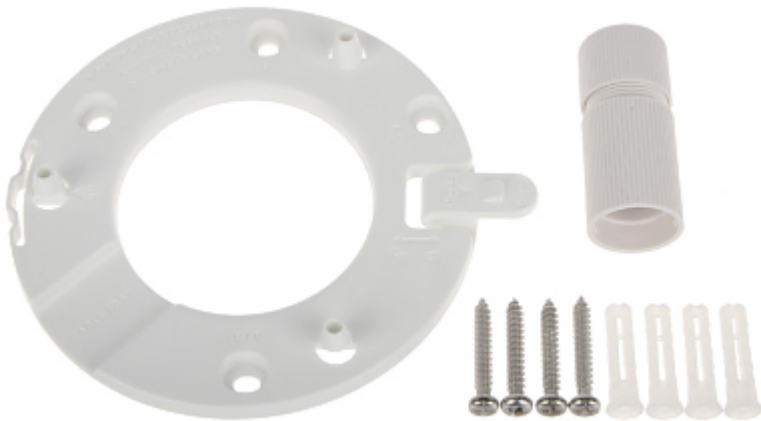




See how to initialize DAHUA cameras:

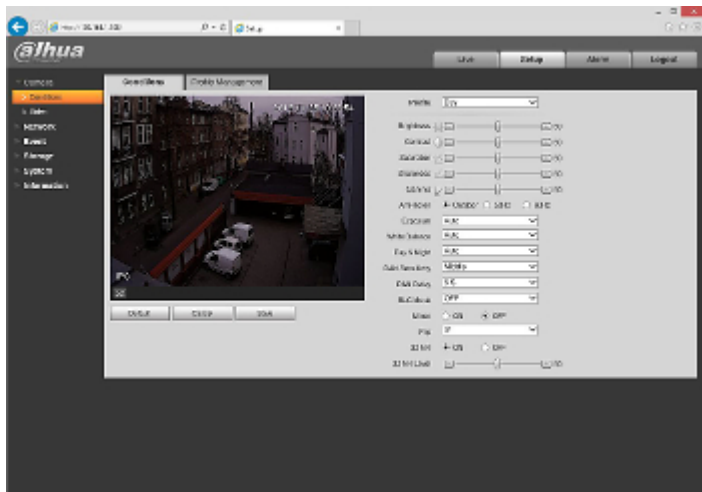
:

In the kit:



Example captures of device interface:





OUR TESTS

Camera image at artificial illumination (about 30Lux):



Camera image at night conditions with internal built-in LED illuminator on:



Camera image at night conditions with internal built-in IR illuminator on:



Camera image at direct strong light opposite to camera:



PACKAGE

Dimensions (L x W x H): 0x0x0 mm	Gross Weight: 0 kg
----------------------------------	--------------------