

Code: USP-SUN-340

POLE MOUNT **USP-SUN-340** FOR SOLAR PANELS

Net: **150.94 EUR** Gross: **185.66 EUR**



The USP-SUN-340 mounting bracket is designed for mounting solar panels with a power of up to 340 W on a pole.

SPECIFICATION

Material:	Aluminum
Tilt angle adjustment:	✓
Maximum pole diameter:	115 mm
Mounting profile length:	1200 mm
Main features:	<ul style="list-style-type: none">• Maximum power of the mounted panel : 340 W,• Mounting clamps included : 4 x end clamp 35 mm
Weight:	5 kg
Guarantee:	2 years

PRESENTATION

Side view:



DELTA-OPTI Monika Matysiak; <https://www.delta.poznan.pl>
POL; 60-713 Poznań; Graniczna 10
e-mail: delta-opti@delta.poznan.pl; tel: +(48) 61 864 69 60

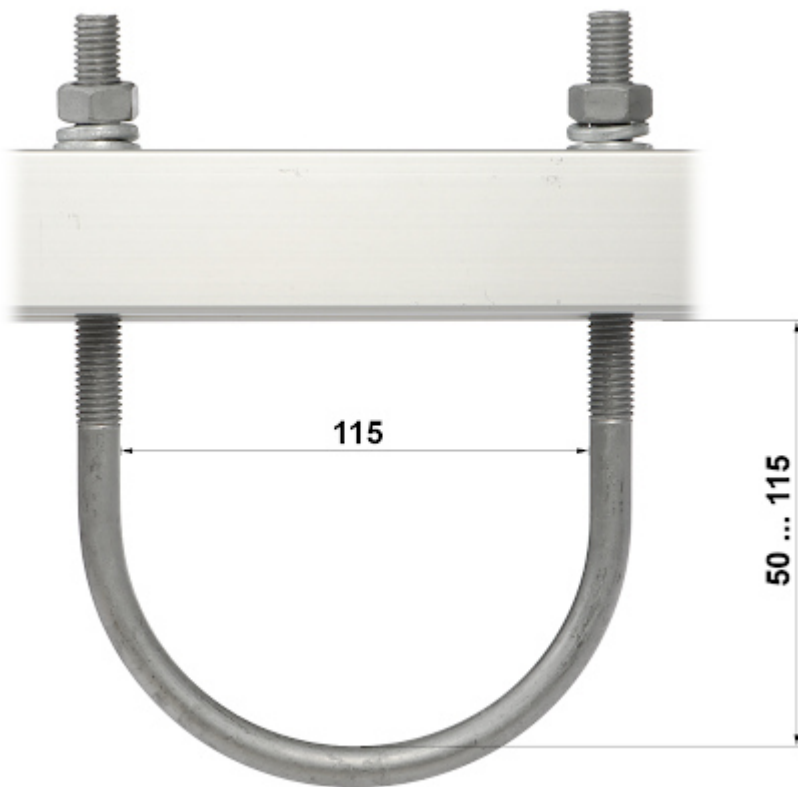


Rear view:



U-Bolt:



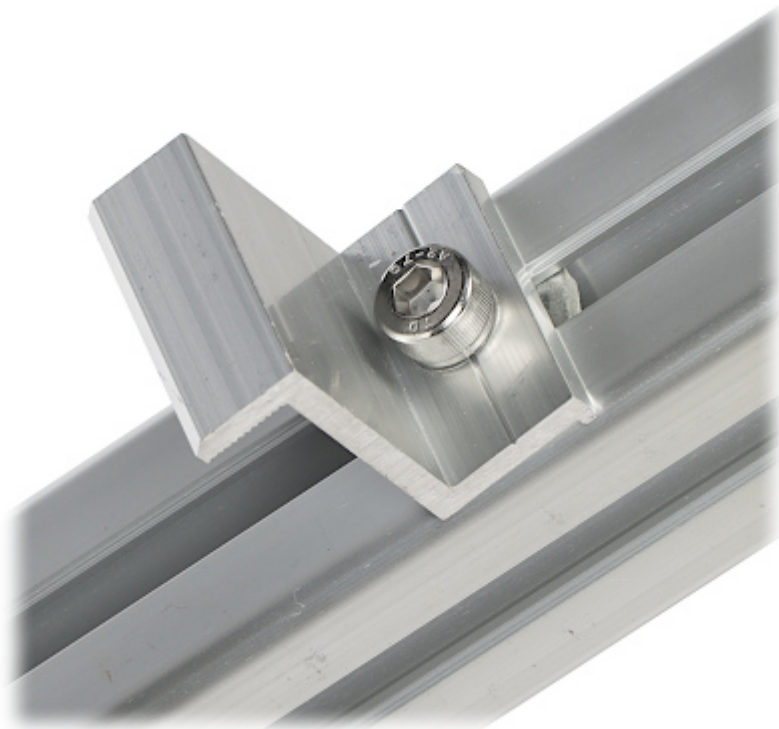


Fixing the brackets:





Mounting clamp for the solar panel:



In the kit:



PACKAGE

Dimensions (L x W x H): 0x0x0 mm	Gross Weight: 0 kg
----------------------------------	--------------------