

Code: TL-EAP115

ACCESS POINT **TL-EAP115** 2.4 GHz 300 Mbps TP-LINK

Net: **36.16 EUR** Gross: **36.16 EUR**

Wireless wall or ceiling mount Access Point. Free Auranet Controller Software enables to centrally manage of wireless network. The user-friendly Cluster Mode allows manage up to 24 devices (TL-EAP115) without requiring any extra hardware or software.

Enterprise class Wi-Fi security help to decrease network security threats. Device allows to secure data transmission using the encryption protocols: WEP, WPA/WPA2 and WPA-PSK/WPA2-PSK (64/128/152 bits).



SPECIFICATION

Frequency range:	2.4 GHz ... 2.4835 GHz
Antenna type:	2 x 3 dBi Integrated Omnidirectional antenna
Polarization:	vertical/horizontal
Standards:	IEEE 802.11b, IEEE 802.11g, IEEE 802.11n
Baud rates:	<ul style="list-style-type: none">• 11n : max. 300 Mbps (dynamic)• 11g : max. 54 Mbps (dynamic)• 11b : max. 11 Mbps (dynamic)
Receiver sensitivity:	<ul style="list-style-type: none">• 300 M : -71 dBm @ 10 % PER• 150 M : -75 dBm @ 10 % PER• 54 M : -78 dBm @ 10 % PER• 11 M : -93 dBm @ 8 % PER• 6 M : -92 dBm @ 10 % PER• 1 M : -96 dBm @ 8 % PER
Protections:	WEP 64/128/152-bit, WPA/WPA2, WPA-PSK/WPA2-PSK
LAN ports:	1 x 10/100 Mbps
Management interface:	Web browser, Auranet application
Transmitter power:	< 20 dBm
Housing:	Plastic
Power supply PoE:	✓ IEEE 802.3af
Power supply:	PoE (802.3af), 12 V DC / 1 A (power adapter included)
Operation temp:	0 °C ... 40 °C
Permissible relative humidity:	/ 10 % ... 90 %

Main features:	<ul style="list-style-type: none"> • Auronet Central Management System • Cluster Mode allows manage up to 24 devices (TL-EAP115) without requiring any extra hardware or software • Multi-SSID • Load balance • QoS - mechanisms, which provide the high quality of transmission • Enable/Disable Wireless Radio • Wireless transmission statistics • Wireless Network Schedule • Authentication using the welcome page • Access control • MAC addresses filtering • Wireless isolation between clients • SSID to VLAN mapping • Rogue Access Point detection • 802.1x Radius • Watchdog built-in • Power supply PoE • Possibility to mount on the wall or ceiling
Weight:	0.238 kg
Dimensions:	180 x 180 x 48 mm
Manufacturer / Brand:	TP-LINK
Guarantee:	5 years

PRESENTATION

Top view:



Mounting side view:



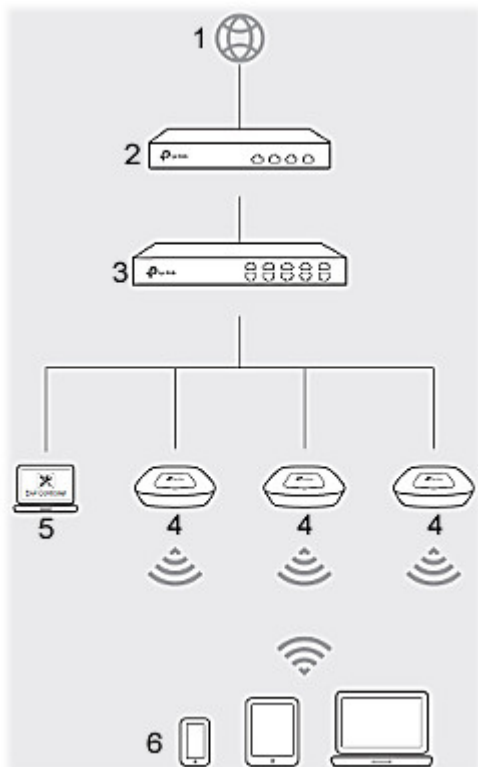


Connectors view:



Transmission schematic diagram:





1. INTERNET
 2. Router
 3. Switch PoE
 4. Access Point (AP)
 5. System management center
 6. clients
- In the kit:



PACKAGE

Dimensions (L x W x H): 0x0x0 mm	Gross Weight: 0 kg
----------------------------------	--------------------