

Code: CDS-6IP/ECO

## ACCESS POINT 5.8 GHz **CDS-6IP/ECO** CAMSAT

Net: **151.47 EUR** Gross: **151.47 EUR**



The CDS-6IP/ECO wireless video transmission module for megapixel cameras and IP Full HD / IP 4K recorders. The device is a transmitter and receiver in a single module (transceiver). The encryption using 64/128/152 bit identification code provides the protection against spying.

The device has built-in a dual antenna (MIMO 5GHz 2 x 13 dBi) and allows precise antennas tuning and achieving high-quality transmission at different distances.

**Attention!** The CAMERA 1 connector **does not allow** the camera to be powered via Passive PoE.

### SPECIFICATION

Frequency range:	5180 MHz ... 5350 MHz , 5470 MHz ... 5725 MHz
Protections:	<ul style="list-style-type: none"><li>• 64 / 128 / 152 bits WEP code</li><li>• WPA</li><li>• WPA-PSK/WPA2-PSK</li></ul>
Transmitter power:	≤ 500 mW ( 27 dBm )
Wireless transmission range:	max. 2 km
Antenna type:	Integrated, 2 pcs 14 dBi MIMO - Interpolarized H/V
Modulation type:	OFDM
Baud rates:	max. 60 Mbps
Operation modes:	<ul style="list-style-type: none"><li>• Video Bridge - mode dedicated to work with IP cameras</li><li>• Master - Access Point</li><li>• Slave - AP Client</li></ul>
Power supply:	<ul style="list-style-type: none"><li>• Passive PoE : 48 V DC (using an external adapter)</li><li>• 12 V DC / 1 A (power adapter included)</li></ul>
Power consumption:	≤ 11 W
Main features:	<ul style="list-style-type: none"><li>• Operates in configuration Point-to-Point and Point-to-Multipoint</li><li>• MIMO technology - increases the throughput of wireless link (multiple antennas transmission)</li><li>• Bidirectional communication</li><li>• IP PTZ control</li><li>• RF power control</li><li>• interference free transmission (industrial, 802.11, Bluetooth, radiotelephony, etc.)</li></ul>

DELTA-OPTI Monika Matysiak; <https://www.delta.poznan.pl>  
POL; 60-713 Poznań; Graniczna 10  
e-mail: [delta-opti@delta.poznan.pl](mailto:delta-opti@delta.poznan.pl); tel: +(48) 61 864 69 60

"Index of Protection":	IP55
Operation temp:	-20 °C ... 70 °C
Weight:	0.35 kg
Dimensions:	249 x 88 x 52 mm
Manufacturer / Brand:	CAMSAT
Guarantee:	2 years

## PRESENTATION

Side view:



Bottom view (after remove the cover):



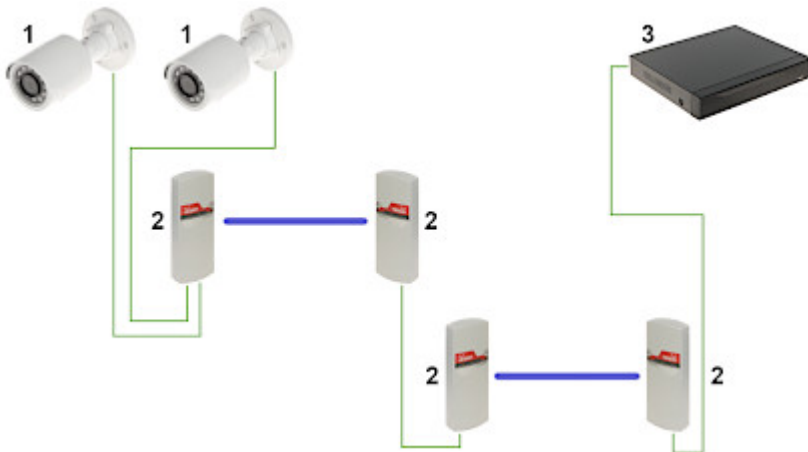
Connectors:



Mast mounting diameter:



Transmission schematic diagram:



- 1. IP Camera
  - 2. CDS-6IP/ECO
  - 3. DVR
- Green - twisted-pair cable  
Blue - wireless radio transmission
- In the kit:



## PACKAGE

DELTA-OPTI Monika Matysiak; <https://www.delta.poznan.pl>  
POL; 60-713 Poznań; Graniczna 10  
e-mail: delta-opti@delta.poznan.pl; tel: +(48) 61 864 69 60

Dimensions (L x W x H): 0x0x0 mm	Gross Weight: 0 kg
----------------------------------	--------------------

