

Code: CDS-6IP-3POE

ACCESS POINT 5.8 GHz **CDS-6IP-3POE** CAMSAT

Net: **208.62 EUR** Gross: **256.60 EUR**



The CDS-6IP-3POE wireless video transmission module for megapixel cameras and IP Full HD / IP 4K recorders. The device is a transmitter and receiver in a single module (transceiver). The encryption using 64/128/152 bit identification code provides the protection against spying.

The device has built-in a dual antenna (MIMO 5GHz 2 x 13 dBi) and allows precise antennas tuning and achieving high-quality transmission at different distances.

Built-in PoE switch allows you to power up to 3 devices in accordance with the IEEE 802.3 af/at or Passive PoE 48V standard. It is also possible to power the CDS-6IP-3POE device itself via Passive PoE or via a switch supplying power in accordance with the IEEE 802.3 at standard.

SPECIFICATION

Frequency range:	5150 MHz ... 5350 MHz , 5470 MHz ... 5725 MHz
Number of channels:	max. 16
Resolution:	max. 16 Mpx
Protections:	<ul style="list-style-type: none">• 64 / 128 / 152 bits WEP code• WPA• WPA-PSK/WPA2-PSK
Transmitter power:	≤ 500 mW (27 dBm)
Wireless transmission range:	max. 2 km
Antenna type:	Integrated, 2 pcs 14 dBi MIMO - Interpolarized H/V
Modulation type:	OFDM
Baud rates:	max. 60 Mbps
Operation modes:	<ul style="list-style-type: none">• Video Bridge - mode dedicated to work with IP cameras• Master - Access Point• Slave - AP Client
Power supply:	<ul style="list-style-type: none">• Passive PoE : 48 V DC (power adapter included)• PoE (802.3at),• 48 V DC,• 12 ... 24 V DC / 1 A



DELTA-OPTI Monika Matysiak; <https://www.delta.poznan.pl>
POL; 60-713 Poznań; Graniczna 10
e-mail: delta-opti@delta.poznan.pl; tel: +(48) 61 864 69 60

Main features:	<ul style="list-style-type: none"> • Operates in configuration Point-to-Point and Point-to-Multipoint • One receiver module can receive signal from 8 transmitters • MIMO technology - increases the throughput of wireless link (multiple antennas transmission) • Bidirectional communication • IP PTZ control • RF power control • interference free transmission (industrial, 802.11, Bluetooth, radiotelephony, etc.) • Possibility to power up to 3 PoE 802.3at/af or PASSIVE receivers • The radio signal level LED indicator • LED signaling of the device operation status
"Index of Protection":	IP55
Operation temp:	-20 °C ... 70 °C
Weight:	0.37 kg
Dimensions:	249 x 88 x 52 mm
Manufacturer / Brand:	CAMSAT
Guarantee:	2 years

PRESENTATION

Side view:



LED diodes indicating the device operation status:



Bottom view (after remove the cover):



Connectors:

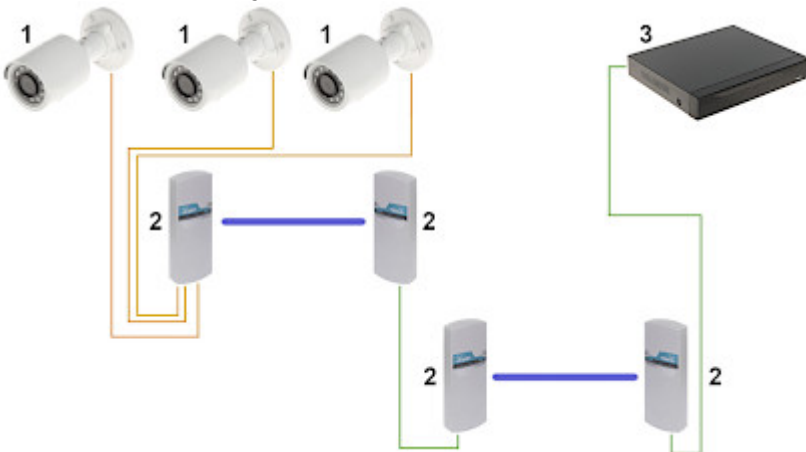


Mast mounting diameter:





Transmission schematic diagram:



- 1. IP Camera
- 2. CDS-6IP-3POE
- 3. DVR

Green - twisted-pair cable
Blue - wireless radio transmission

In the kit:



PACKAGE

DELTA-OPTI Monika Matysiak; <https://www.delta.poznan.pl>
POL; 60-713 Poznań; Graniczna 10
e-mail: delta-opti@delta.poznan.pl; tel: +(48) 61 864 69 60

Dimensions (L x W x H): 0x0x0 mm	Gross Weight: 0 kg
----------------------------------	--------------------

