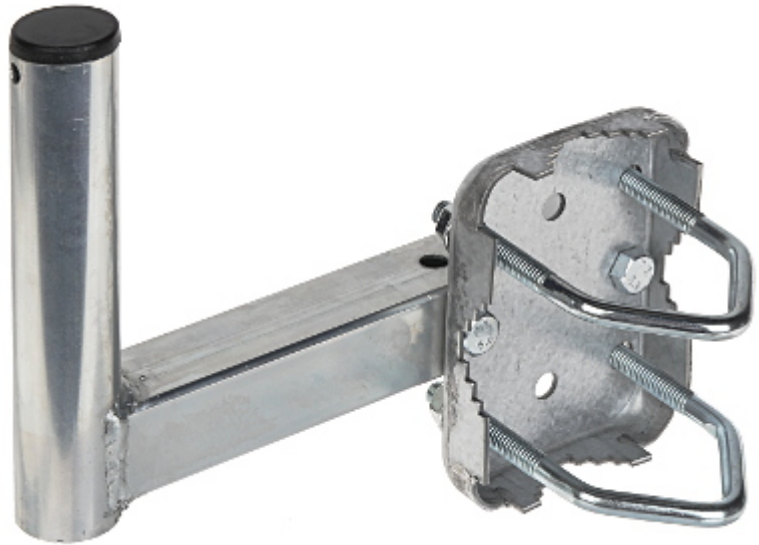


Code: URL-32H10

TUBE MOUNT URL-32H10

Net: 23.38 PLN Gross: 28.76 PLN

The tube mount allows to mount antennas or cameras to the tube or balustrade.

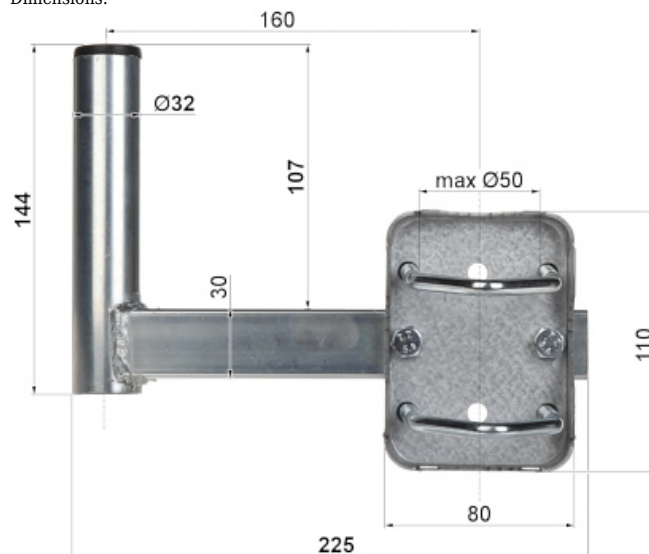


SPECIFICATION

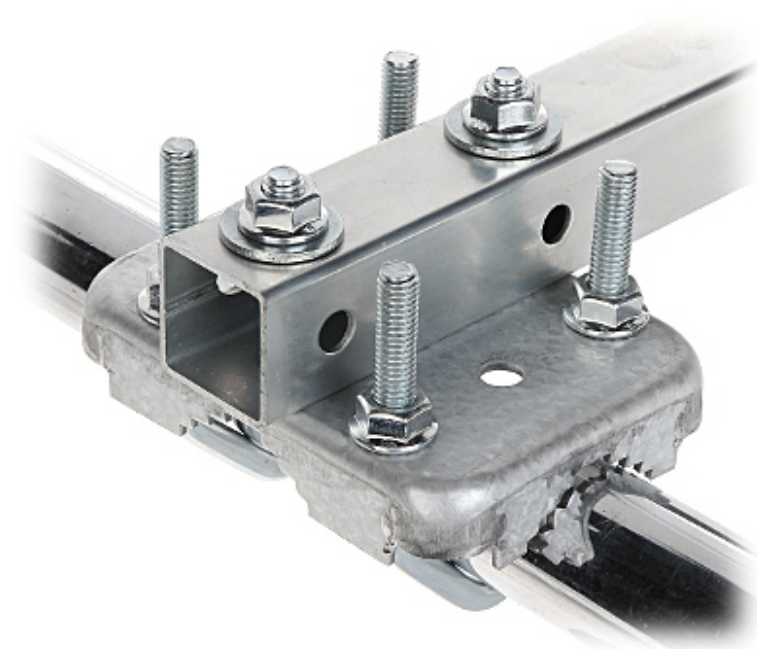
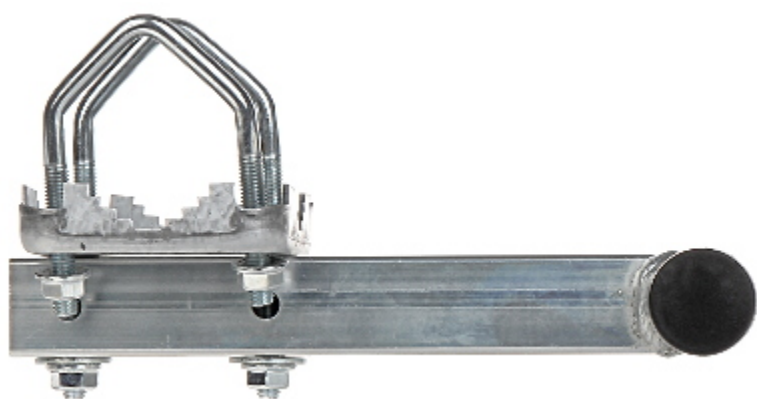
Material:	Metal
Mast diameter:	max. 50 mm
Mount tube diameter:	Ø 32 mm
Distance from mounting surface:	145 mm
Mount:	2 x Clamp
Main features:	<ul style="list-style-type: none">• Easy and universal mounting system• The whole galvanized
Manufacturer / Brand:	DELTA
Guarantee:	3 years

PRESENTATION

Dimensions:



DELTA-OPTI Monika Matysiak; <https://www.delta.poznan.pl>
POL; 60-713 Poznań; Graniczna 10
e-mail: delta-opti@delta.poznan.pl; tel: +(48) 61 864 69 60



DELTA-OPTI Monika Matysiak; <https://www.delta.poznan.pl>
POL; 60-713 Poznań; Graniczna 10
e-mail: delta-opti@delta.poznan.pl; tel: +(48) 61 864 69 60



DELTA-OPTI Monika Matysiak; <https://www.delta.poznan.pl>
POL; 60-713 Poznań; Graniczna 10
e-mail: delta-opti@delta.poznan.pl; tel: +(48) 61 864 69 60