

Code: ATLO-KRMFW-855-TUYA

CODE LOCK ATLO-KRMFW-855-TUYA Wi-Fi

Net: 40.86 EUR Gross: 40.86 EUR

Outdoor, autonomous code lock with fingerprint and RFID reader.

Autonomous operation of the device allows the user to:

- Opening by card, PIN or fingerprint.
- Remembering saved cards, PINs and fingerprint patterns.
- Signaling left the door open.
- Acoustic and optical signaling.
- The ability to open with the application for smartphones.

Administrator capabilities are following:

- Programming by using the keypad.
- Adding a new card by using the keypad.
- Adding a new card and entering a PIN code.
- Changing the PIN code of the user.
- Deleting the PIN code of the user.
- Setting the lock release time.
- Restoring the default settings.
- The ability to open with the application for smartphones.

ATTENTION! It can be used outdoors, but under a roof.

Tuya is an international home automation platform that connects thousands of products made by different manufacturers. The system can support all the most popular communication protocols such as Wi-Fi, Zigbee, Bluetooth.

Attention! Before adding the device to the Tuya Smart application, run the administrator PIN pairing procedure (factory PIN 999999)#08. Controlling the device from the Tuya Smart application is possible if the device has access to the Internet.



SPECIFICATION

Cards support:	Unique EM 125kHz
Reading distance of prox-keys:	max. 5 cm
Autonomous operation:	✓
Keyboard built-in:	✓
Doorbell button:	—
Tamper output:	—
Power supply:	12 V ... 24 V DC ± 10%
Maximal current consumption:	60 mA
Mobile phones support:	It is possible to operate via the Wi-Fi network from the mobile application on the iOS, Android systems : <ul style="list-style-type: none">• The Tuya Smart free application on Android• The Tuya Smart free application on iOS

Main features:	<ul style="list-style-type: none"> • Integration of the device with the TUYA system additionally allows the administrator to fully manage the lock remotely from the application level : <ul style="list-style-type: none"> - Remote opening of the door - Remote management of users and the schedule (adding, canceling access, granting access to the user within specified time frames) - Programming one-time access codes and guest accounts with validity period - Remote access to the full history of events (user ID, exact date and time of access) • Control of touch-sensitive buttons, • 10 000 indexed users, • 300 indexed fingerprints • Opening by card, PIN or fingerprint, • The ability to open with the application for smartphones, • Wiegand interface 26 bit • White backlight • Cooperation with the exit button • NO/NC output
Operation temp:	-40 °C ... 60 °C
Permissible relative humidity:	10 ... 90 % (non-condensing)
Housing:	High quality stainless steel + Tempered glass
Color:	Silver + Black
"Index of Protection":	IP68
Vandal-proof:	✓
Weight:	0.34 kg
Dimensions:	135 x 48 x 24 mm
Manufacturer / Brand:	ATLO
Guarantee:	3 years

PRESENTATION

Front panel view:



Rear view:



Connectors description:



Internal view of the housing:



Typical connection diagram:

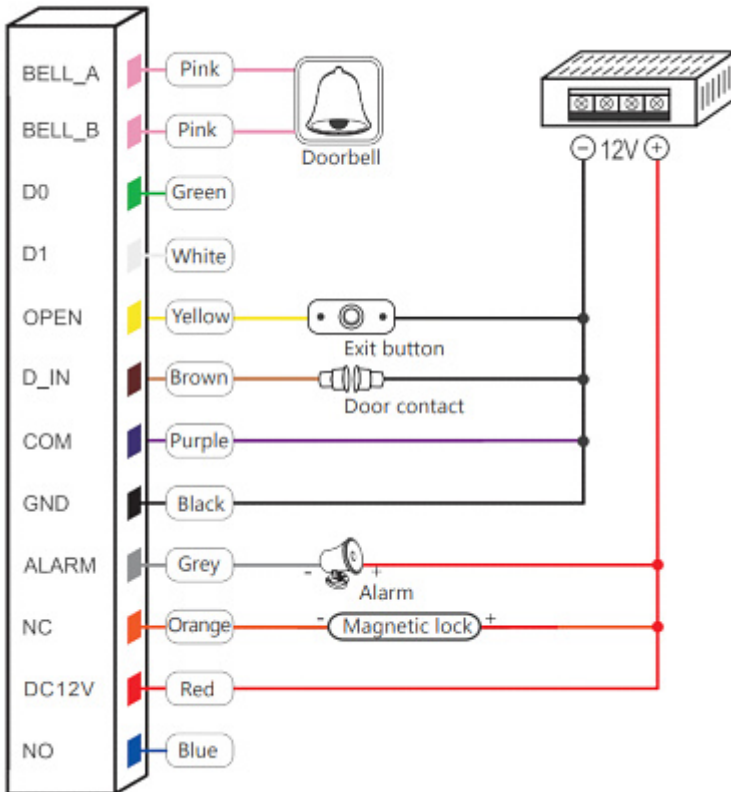
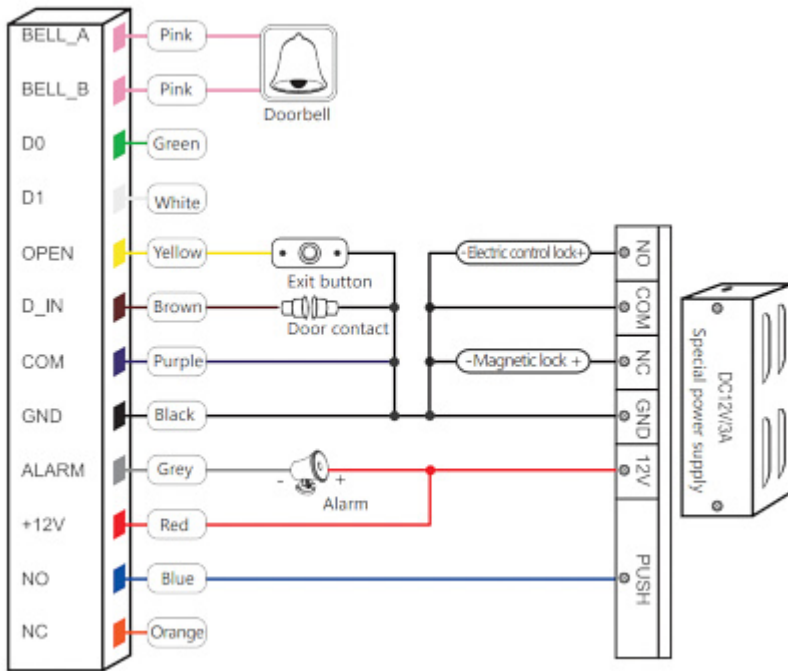
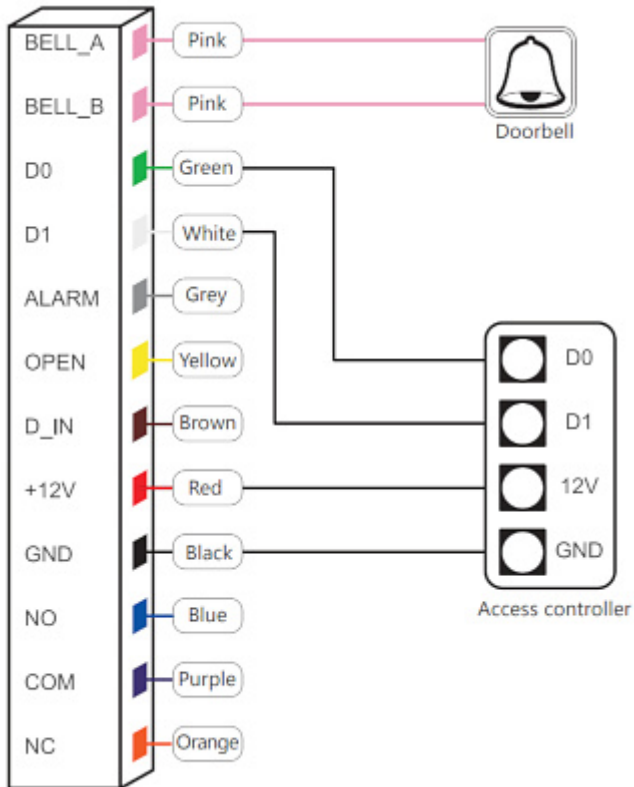


Diagram with a special power supply adapter:



Reader mode:



In the kit:



OUR OPINIONS



- Aesthetic and solid construction.

PACKAGE

Dimensions (L x W x H): 0x0x0 mm	Gross Weight: 0 kg
----------------------------------	--------------------

