

Code: TR-4P/70

VIDEO BALUN TR-4P/70

Net: 14.53 EUR Gross: 17.87 EUR

The TR-4P/70 is designed to video signals transmission and power supplying via twisted-pair cable (UTP, FTP). The device adapts the impedance of coaxial cable 75Ω to the impedance of symmetrical line, ensuring transmission of video signal up to 400m (twisted-pair cable category 5) and eliminates asymmetric interferences.

Video signal is sent over one pair of a twisted-pair cable, the remaining three pairs are used for supplying DC 12V power. This is not consistent with the PVD standard, but this solution allows to sending the power to devices for long distances.



SPECIFICATION

Standard:	<ul style="list-style-type: none">• AHD - 5 Mpx,• HD-CVI - 8 Mpx 4K UHD,• HD-TVI - 8 Mpx 4K UHD,• CVBS - PAL, NTSC
Input voltage:	12 V DC
Device type:	Passive
Number of channels:	4 Video 4 DC
Coaxial socket voltage range 75Ω (CVBS):	1 Vpp
Video transmission range:	<ul style="list-style-type: none">• 250 m @ 720p - UTP cat. 5e• 150 m @ 1080p - UTP cat. 5e• 400 m @ CVBS - PAL / NTSC - UTP cat. 5e
Output voltage:	12 V DC
Attenuation:	<ul style="list-style-type: none">• 4.43 MHz @ 0.73 dB• 11 MHz @ 1.24 dB• 21 MHz @ 2.16 dB• 38 MHz @ 3.35 dB• 42 MHz @ 3.54 dB• 67.5 MHz @ 3.72 dB
Symmetrical socket impedance:	100 Ω
Connectors type:	4 x BNC Socket
Symmetrical socket type:	4 x RJ-45 (8-pin, 4 pairs) Socket
Permissible relative humidity:	< 95 %
Operation temp:	-50 °C ... 55 °C

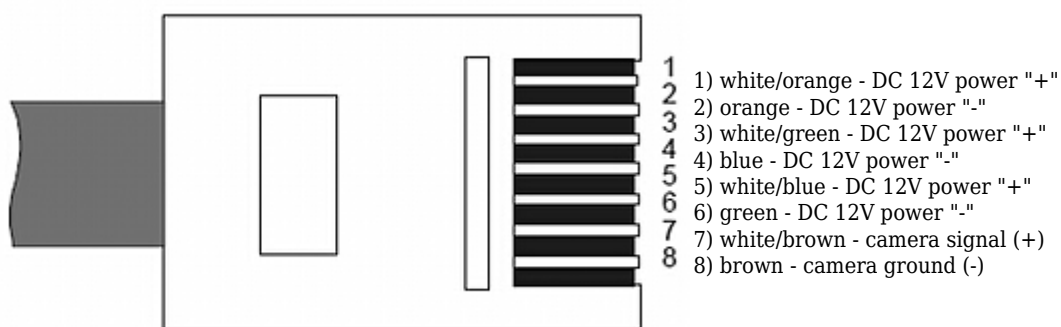
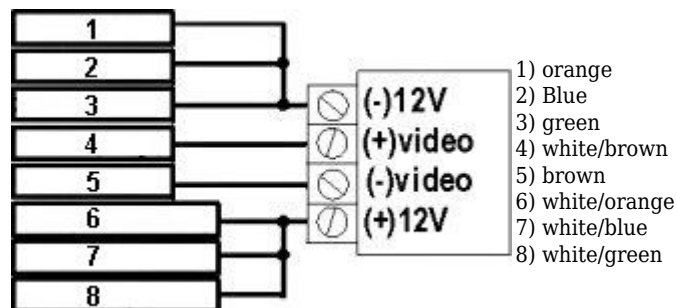
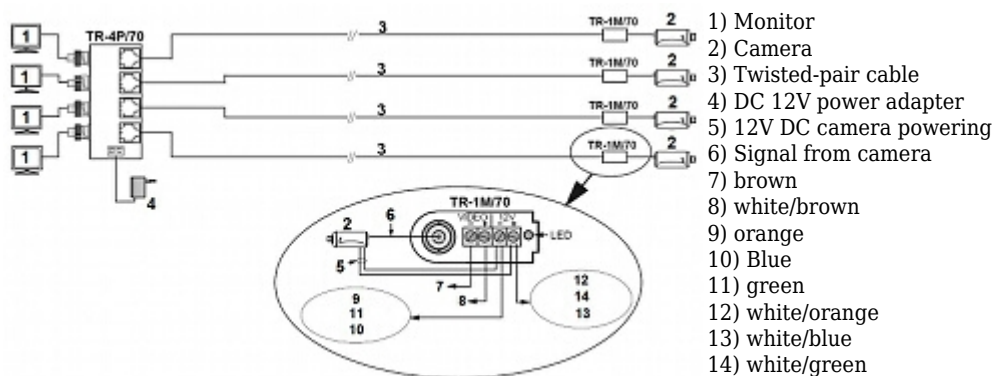
Power supply distance:	<ul style="list-style-type: none"> • Power supply 12V DC 353 m @ 50 mA 235 m @ 75 mA 176 m @ 100 mA 141 m @ 125 mA 117 m @ 150 mA 88 m @ 200 mA 70 m @ 250 mA 58 m @ 300 mA 50 m @ 350 mA 44 m @ 400 mA 39 m @ 450 mA 35 m @ 500 mA 29 m @ 600 mA 25 m @ 700 mA 22 m @ 800 mA 19 m @ 900 mA 17 m @ 1000 mA
Weight:	0.098 kg
Dimensions:	117 x 64 x 30 mm
Guarantee:	3 years
Manufacturer / Brand:	DELTA

PRESENTATION



DELTA-OPTI Monika Matysiak; <https://www.delta.poznan.pl>
 POL; 60-713 Poznań; Graniczna 10
 e-mail: delta-opti@delta.poznan.pl; tel: +(48) 61 864 69 60

Connection diagram:



OUR TESTS

Amplitude - frequency response - 2 transformers connected briefly (RF PWR OUT = 0 dBm):

