

Code: TRO-4G/400

## VIDEO BALUN TRO-4G/400

Net: 20.23 EUR Gross: 24.88 EUR

The TRO-4G/400 is designed to power with DC voltage and receive video signals from 4 TRN-1/400 devices (video baluns - transmitters) via twisted pair cable (UTP, FTP) over a distance up to 400 meters. Video signals from cameras connected to the TRN-1/400 transmitter inputs are sent to the TRO-4G/400 receiver via twisted-pair cable. Both transmitter and receiver units adapt 75Ω coaxial cable impedance to twisted-pair cable impedance, what guarantees the video signal transmission up to 400 meters. The TRO-4G/400 receiver supplies un-stabilized voltage (maximal up to 40V DC) to twisted-pair cable, and the TRN-1/400 transmitter converts it into 12V DC stabilized voltage, what enables power the cameras with thermostat.



### SPECIFICATION

Standard:	<ul style="list-style-type: none"><li>• AHD - 5 Mpx,</li><li>• HD-CVI - 8 Mpx 4K UHD,</li><li>• HD-TVI - 8 Mpx 4K UHD,</li><li>• CVBS - PAL, NTSC</li></ul>
Input voltage:	max. 29 V AC / 2 A
Device type:	Active / Receiver
Number of channels:	4 Video 4 DC
Coaxial socket voltage range 75Ω (CVBS):	1 Vpp
Video transmission range:	<ul style="list-style-type: none"><li>• 250 m @ 720p - UTP cat. 5e</li><li>• 150 m @ 1080p - UTP cat. 5e</li><li>• 400 m @ CVBS - PAL / NTSC - UTP cat. 5e</li></ul>
Output voltage:	max. 40 V DC / 2 A
Attenuation:	<ul style="list-style-type: none"><li>• 4.43 MHz @ 0.73 dB</li><li>• 11 MHz @ 1.24 dB</li><li>• 21 MHz @ 2.16 dB</li><li>• 38 MHz @ 3.35 dB</li><li>• 42 MHz @ 3.54 dB</li><li>• 67.5 MHz @ 3.72 dB</li></ul>
Main features:	Delayed fuse 5 x 20 2 A / 250 V
Symmetrical socket impedance:	100 Ω
Connectors type:	4 x BNC Socket Video Cable terminals DC
Symmetrical socket type:	4 x RJ-45 (8-pin, 4 pairs) Socket
Permissible relative humidity:	< 95 %
Operation temp:	-50 °C ... 55 °C

Power supply distance:	<ul style="list-style-type: none"> <li>• Power supply 24 V 55 m @ 2 x 750 mA + 190 m @ 2 x 500 mA 130 m @ 1 x 750 mA + 720 m @ 3 x 250 mA 720 m @ 4 x 250 mA</li> <li>• Power supply 29 V 420 m @ 4 x 750 mA 440 m @ 3 x 750 mA + 1200 m @ 1 x 250 mA 480 m @ 2 x 750 mA + 1400 m @ 2 x 250 mA 480 m @ 1 x 750 mA + 1500 m @ 3 x 250 mA 1700 m @ 4 x 250 mA</li> </ul>
Weight:	0.250 kg
Dimensions:	213 x 36 x 93 mm
Guarantee:	<b>3 years</b>
Manufacturer / Brand:	DELTA

**PRESENTATION**

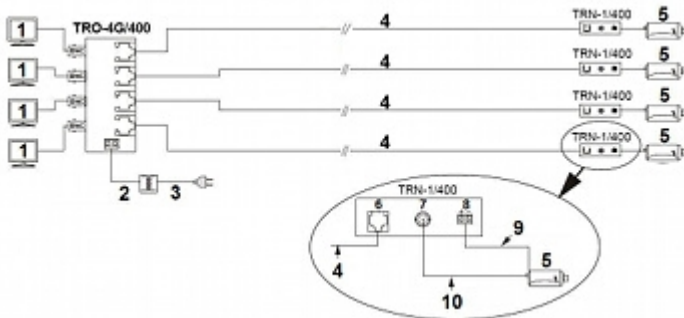
Front view:



Top view:



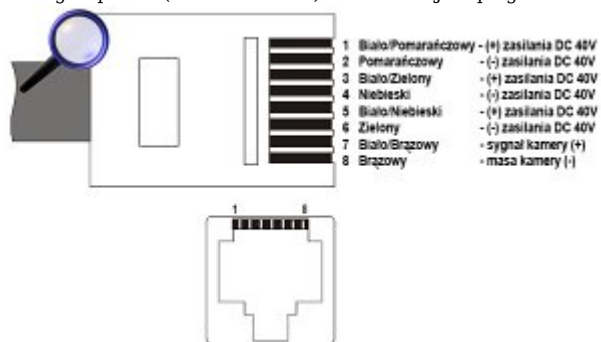
Connection diagram:



- 1) Monitor
- 2) 24V / 29V AC
- 3) 230V AC

- 4) Twisted-pair cable
- 5) Camera
- 6) Line
- 7) Input
- 8) Power supply
- 9) 12V DC camera powering
- 10) Signal from camera

Wiring sequence (based on colors) inside the RJ-45 plug:



- 1) white/orange - DC 40V power "+"
- 2) orange - DC 40V power "-"
- 3) white/green - DC 40V power "+"
- 4) blue - DC 40V power "-"
- 5) white/blue - DC 40V power "+"
- 6) green - DC 40V power "-"
- 7) white/brown - camera signal (+)
- 8) brown - camera ground (-)

## OUR TESTS

Amplitude - frequency response - 2 transformers connected briefly (RF PWR OUT = 0 dBm):

