

Code: TRN-1/400A

## VIDEO BALUN TRN-1/400A

Net: 68.40 PLN Gross: 84.13 PLN

The TRN-1/400A is designed to video signals transmission and power supplying via twisted-pair cable (UTP, FTP). Video signal from camera is connect to the TRN-1/400A transmitter input, and transmitted via twisted-pair cable to the TRO-4G/400 or the TRO-1/400 receiver. Both transmitter and receiver units adapt 75Ω coaxial cable impedance to twisted-pair cable impedance, what guarantees the video signal transmission up to 400m.

The TRO-1/400 receiver supplies un-stabilized voltage (maximal up to 45V DC) to twisted-pair cable, and the TRN-1/400A transmitter converts it into 4V ... 14V DC stabilized voltage, what enables power the cameras with thermostat.

The device allows to change the output voltage in range of 4V ... 14V with a potentiometer.

ATTENTION! The TRN-1/400A device is not an autonomous one and operates with TRO-1/400, TRO-4G/400 devices only.



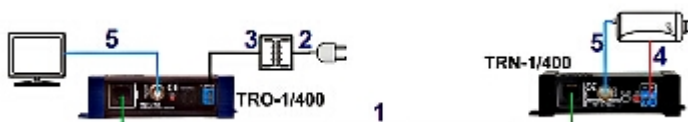
### SPECIFICATION

Standard:	<ul style="list-style-type: none"><li>• AHD - 5 Mpx,</li><li>• HD-CVI - 8 Mpx 4K UHD,</li><li>• HD-TVI - 8 Mpx 4K UHD,</li><li>• CVBS - PAL, NTSC</li></ul>
Input voltage:	max. 45 V DC
Device type:	Active / Transmitter
Number of channels:	1 Video 1 DC
Coaxial socket voltage range 75Ω (CVBS):	1 Vpp
Output voltage adjustment:	4 V ... 14 V DC
Video transmission range:	<ul style="list-style-type: none"><li>• 250 m @ 720p - UTP cat. 5e</li><li>• 150 m @ 1080p - UTP cat. 5e</li><li>• 400 m @ CVBS - PAL / NTSC - UTP cat. 5e</li></ul>
Output voltage:	12 V DC / max. 900 mA (factory setting)
Attenuation:	<ul style="list-style-type: none"><li>• 4.43 MHz @ 0.73 dB</li><li>• 11 MHz @ 1.24 dB</li><li>• 21 MHz @ 2.16 dB</li><li>• 38 MHz @ 3.35 dB</li><li>• 42 MHz @ 3.54 dB</li><li>• 67.5 MHz @ 3.72 dB</li></ul>
Symmetrical socket impedance:	100 Ω
Connectors type:	BNC Socket Video Cable terminals DC
Symmetrical socket type:	RJ-45 (8-pin, 4 pairs) Socket
Power supply distance:	<ul style="list-style-type: none"><li>• Power supply 24 V DC 1080 m @ 250 mA 260 m @ 750 mA</li><li>• Power supply 29 V DC 1600 m @ 250 mA 500 m @ 750 mA</li></ul>

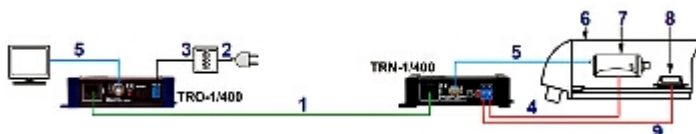
DELTA-OPTI Monika Matysiak; <https://www.delta.poznan.pl>  
POL; 60-713 Poznań; Graniczna 10  
e-mail: [delta-opti@delta.poznan.pl](mailto:delta-opti@delta.poznan.pl); tel: +(48) 61 864 69 60

Weight:	0.09 kg
Dimensions:	118 x 61 x 30 mm
Guarantee:	<b>3 years</b>
Manufacturer / Brand:	DELTA

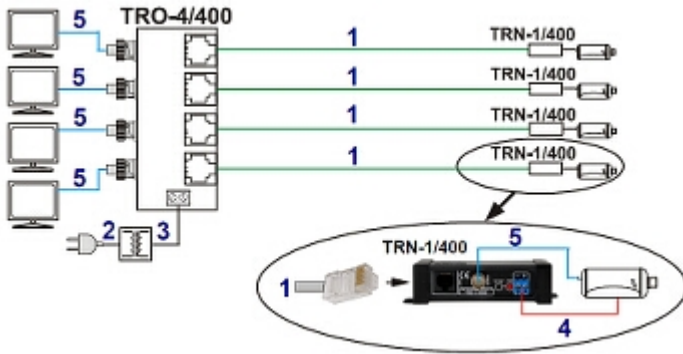
## PRESENTATION



1. Twisted-pair cable
2. 230V AC
3. 24V / 29V AC
4. camera powering
5. asymmetric video signal (coaxial)

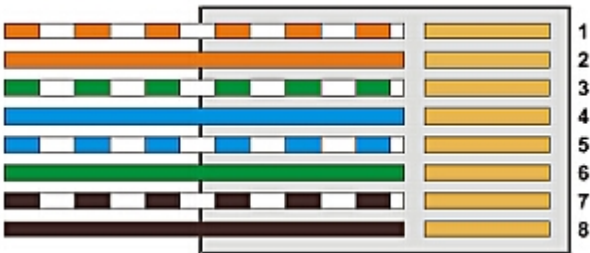


1. Twisted-pair cable
2. 230V AC
3. 24V / 29V AC
4. camera powering
5. asymmetric video signal (coaxial)
6. Outdoor housing
7. Camera
8. Thermostat TT-12E
9. Thermostat power supply



- 1. Twisted-pair cable
- 2. 230V AC
- 3. 24V / 29V AC
- 4. camera powering
- 5. asymmetric video signal (coaxial)

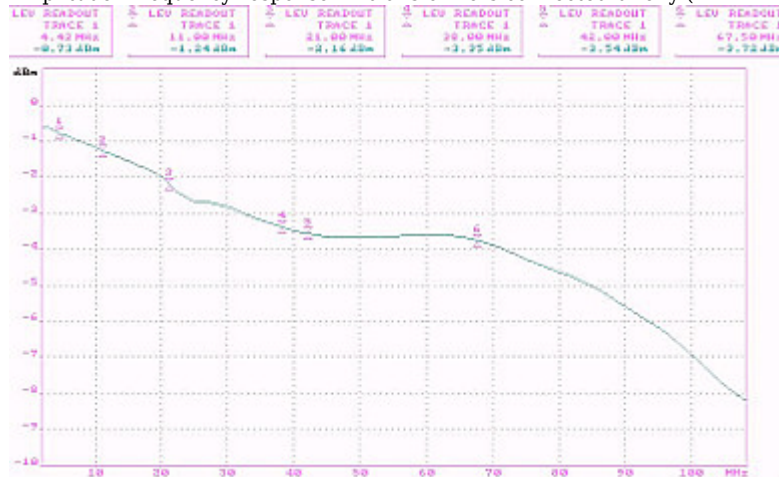
Wiring sequence (based on colors) inside the RJ-45 plug:



- 1) white/orange - DC 40V power "+"
- 2) orange - DC 40V power "-"
- 3) white/green - DC 40V power "+"
- 4) blue - DC 40V power "-"
- 5) white/blue - DC 40V power "+"
- 6) green - DC 40V power "-"
- 7) white/brown - camera signal (+)
- 8) brown - camera ground (-)

**OUR TESTS**

Amplitude - frequency response - 2 transformers connected briefly (RF PWR OUT = 0 dBm):



**PACKAGE**

Dimensions (L x W x H): 0x0x0 mm	Gross Weight: 0 kg
----------------------------------	--------------------