

Code: VCA-4/1200

## VIDEO AMPLIFIER VCA-4/1200

Net: 25.31 EUR Gross: 31.13 EUR

The VCA-4/1200 is designed to amplification of the video signal transmitted via coaxial cable, what enables video transmission up to 2000 m distance.

The control knob perform both gain adjustment and correction of frequency response functions. Together with increase of gain, the correction is deeper.

**The amplifier must be used at the end of the transmission line (close to the monitor).**



### SPECIFICATION

Standard:	CVBS - PAL / NTSC
Device type:	Active
Power supply:	12 V / 90 mA (power adapter not included)
Number of channels:	4 Video
Video transmission range:	max. 1200 m
Video bandwidth:	0 ... 9 MHz
Coaxial socket impedance:	75 Ω
Coaxial socket type:	8 x BNC Straight socket
Main features:	• Signal correction
Weight:	0.1 kg
Dimensions:	117 x 30 x 80 mm
Manufacturer / Brand:	DELTA
Guarantee:	<b>3 years</b>

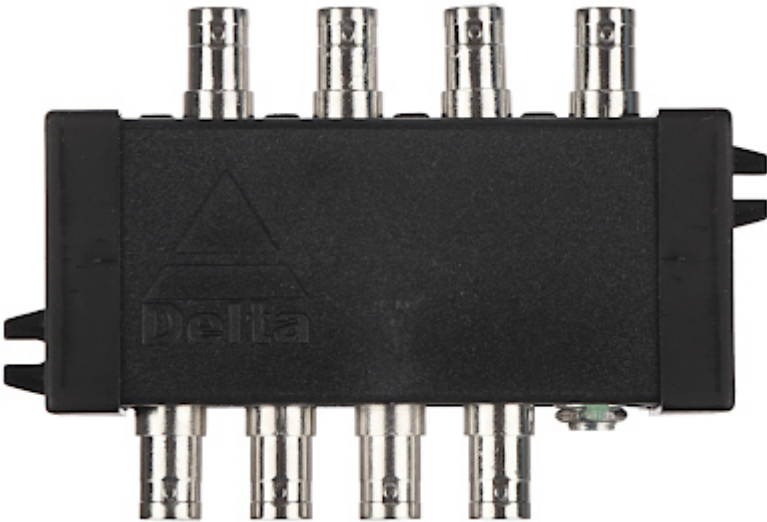
### PRESENTATION



DELTA-OPTI Monika Matysiak; <https://www.delta.poznan.pl>  
POL; 60-713 Poznań; Graniczna 10  
e-mail: delta-opti@delta.poznan.pl; tel: +(48) 61 864 69 60



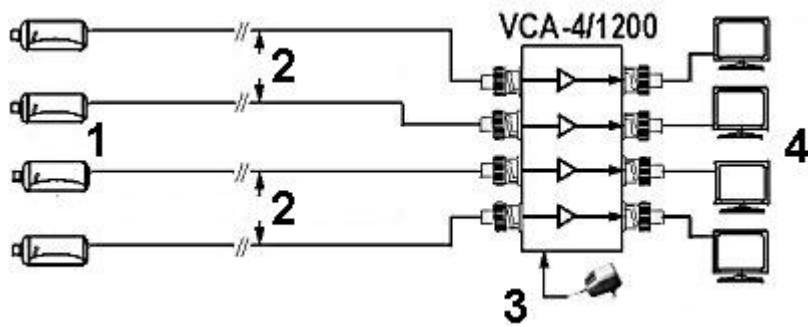
Top view:



Connectors:



Connection diagram:



- 1) Cameras
- 2) Coaxial cable max. 1200m
- 3) DC 12V/100mA stabilized power adapter
- 4) Monitors

