

Code: EA-EOU101

EXTENDER ETHERNET VIA UTP CABLE **EA-EOU101** COP

Net: **72.47 EUR** Gross: **89.14 EUR**



The EA-EOU101 Extender allows to extend data transmission via UTP cable up to 1000m distance. The device is a transmitter and receiver in a single module (transceiver).

Note! Minimum 2 pcs of the EA-EOU101 are required to correct operation of the device. The device working on the switch side allows to connect up to 4 devices of the EA-EOU101 working on the IP cameras side.

After disconnecting the BNC / UTP converter, the device operates as the EA-EOC101 extender and is full compatible with it.

SPECIFICATION

LAN ports:	1 pcs RJ45
Transmission ports:	1 pcs BNC + BNC / UTP converter - cable terminals
Transmission speed:	10 / 100 Mbps Full Duplex
Transmission range:	max. 1000 m
Main features:	<ul style="list-style-type: none">• Plug & Play• The device uses 1 pair of twisted-pair cable for transmission to 1 IP camera
Power supply:	12 V DC / 500 mA (power adapter included)
Weight:	0.14 kg
Dimensions:	120 x 33 x 33 mm
Manufacturer / Brand:	COP
Guarantee:	2 years

PRESENTATION

DELTA-OPTI Monika Matysiak; <https://www.delta.poznan.pl>
POL; 60-713 Poznań; Graniczna 10
e-mail: delta-opti@delta.poznan.pl; tel: +(48) 61 864 69 60



Device connectors:





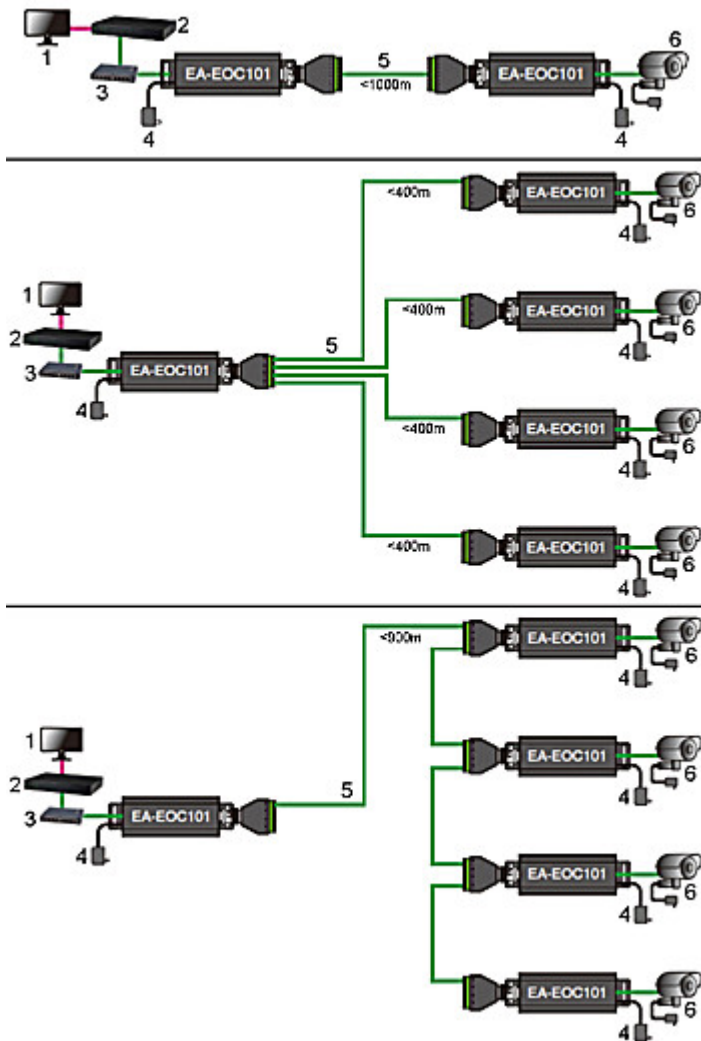
Top view:



Bottom view:



Transmission schematic diagram:



1. Monitor
2. IP DVR
3. Switch
4. DC 12V power adapter
5. UTP cat. 5e/6
6. IP Camera

In the kit:

