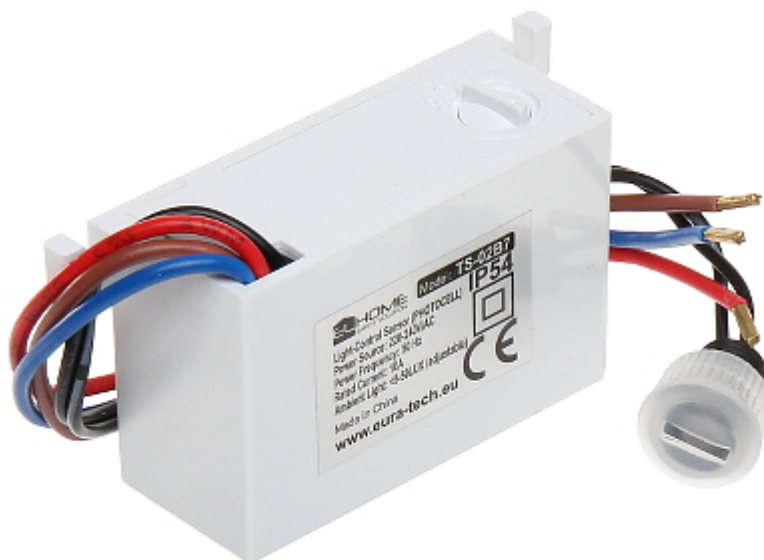


Code: TS-02B7

TWILIGHT SENSOR TS-02B7

Net: 6.17 EUR Gross: 7.59 EUR

Twilight sensor with a miniature lens ideally suited for built-in installation. The sensor can be used for automatic control of electrical devices, eg. LED illumination.



SPECIFICATION

Power supply:	220 ... 240 V AC
Maximal load:	6 A / 1400 W (resistance load), 350 W (inductive load)
Lighting switching threshold:	< 5 Lux ... 50 Lux
Main features:	<ul style="list-style-type: none">• Length of the cable, 17 cm• For indoor use
Housing:	Plastic
"Index of Protection":	IP54
Weight:	0.048 kg
Dimensions:	75 x 38 x 24 mm
Guarantee:	2 years

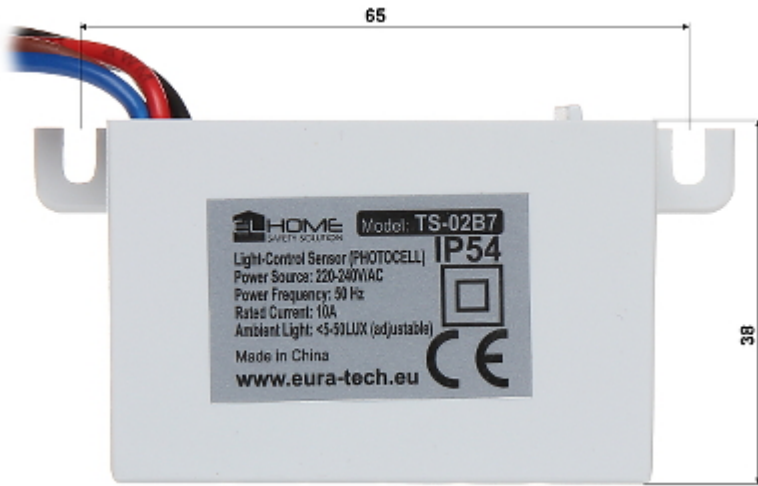
PRESENTATION

Bottom view:

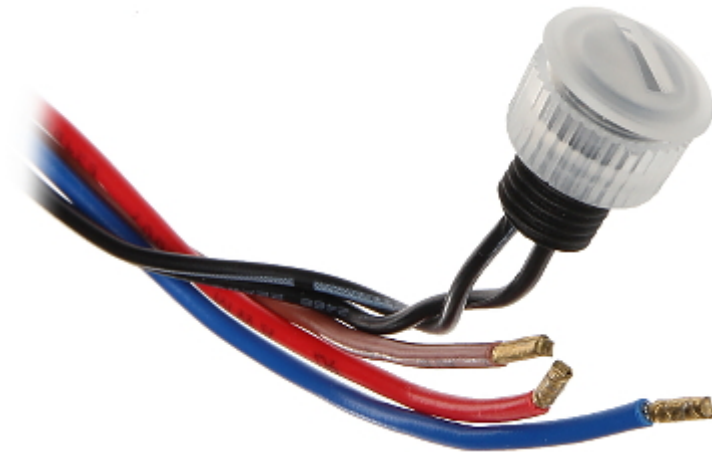


Mounting dimensions:

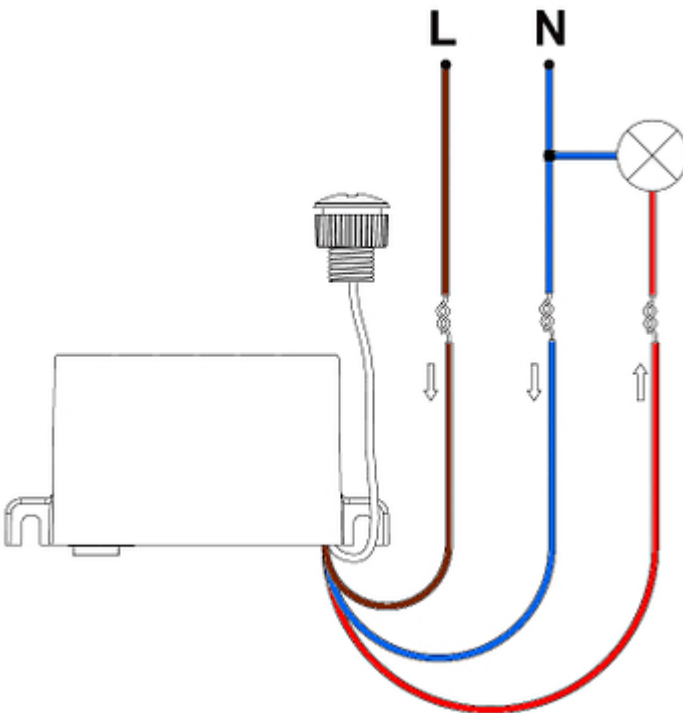
DELTA-OPTI Monika Matysiak; <https://www.delta.poznan.pl>
POL; 60-713 Poznań; Graniczna 10
e-mail: delta-opti@delta.poznan.pl; tel: +(48) 61 864 69 60



Twilight Sensor:



Connection diagram:



In the kit:



PACKAGE

Dimensions (L x W x H): 0x0x0 mm	Gross Weight: 0 kg
----------------------------------	--------------------

