

Code: OMI-5-DIN

MOUNTING RAIL DIN TS-35 **OMI-5-DIN** FOR OMI-5 ENCLOSURE SATEL

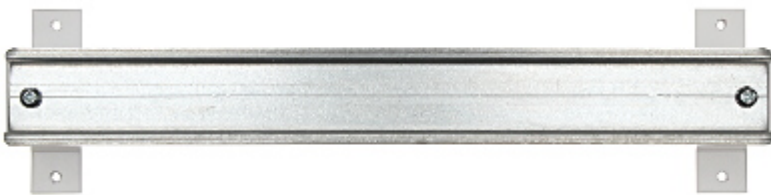
Net: 18.46 EUR Gross: 22.71 EUR



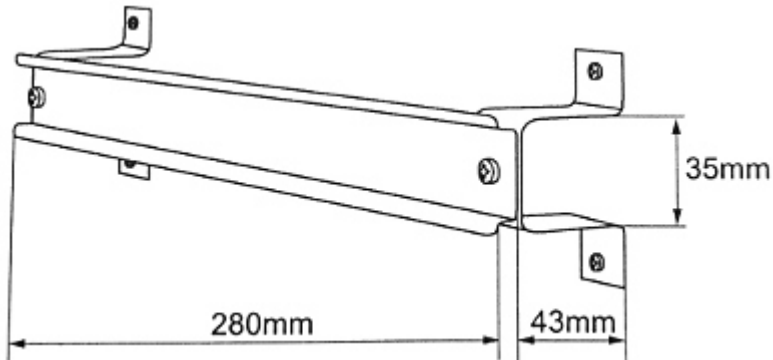
SPECIFICATION

Length:	281 mm
Material:	Steel galvanized
Main features:	<ul style="list-style-type: none">• Dedicated for mounting in the OMI-5 enclosure,• Mounting brackets included in the set
Weight:	0.17 kg
Dimensions:	281 x 35 x 43 mm
Manufacturer / Brand:	SATEL
Guarantee:	2 years

PRESENTATION



Mounting dimensions:



Example of application:



DELTA-OPTI Monika Matysiak; <https://www.delta.poznan.pl>
POL; 60-713 Poznań; Graniczna 10
e-mail: delta-opti@delta.poznan.pl; tel: +(48) 61 864 69 60



In the kit:



PACKAGE

Dimensions (L x W x H): 0x0x0 mm	Gross Weight: 0 kg
----------------------------------	--------------------

