

Code: PFM710

EXTENDER VGA PFM710 DAHUA

Net: 65.37 EUR Gross: 80.41 EUR

The PFM710 extender enables the VGA signal transmission for distance up to 75 m via UTP cable. The transmitter converts the VGA signal, what enables its transmission via twisted-pair cable.

The transmitter and receiver are sold as a set and a both devices need to be used for complete channel transmission.

Transmitter and receiver are in the kit.



SPECIFICATION

Device type:	Passive
Video transmission range:	75 m @ 640 x 480
Symmetrical socket impedance:	100 Ω
Connectors type:	<ul style="list-style-type: none">• 1 x VGA - Socket• 1 x RJ-45 - Socket
Power supply:	—
Resolution:	<ul style="list-style-type: none">• 1920 x 1200 px WUXGA @ 20 m (our tests result),• 1280 x 1024 px SXGA @ 40 m (our tests result),• 1280 x 768 px WXGA,• 1024 x 768 px XGA,• 800 x 600 px SVGA,• 640 x 480 px VGA @ 75 m (manufacturer data)
Bandwidth:	\leq 120 MHz
Grounding:	via grounding bolt
Operation temp:	0 °C ... 55 °C
Permissible relative humidity:	\leq 95 %
Weight:	0.11 kg
Dimensions:	85 x 64 x 28 mm
Manufacturer / Brand:	DAHUA
Guarantee:	3 years

PRESENTATION

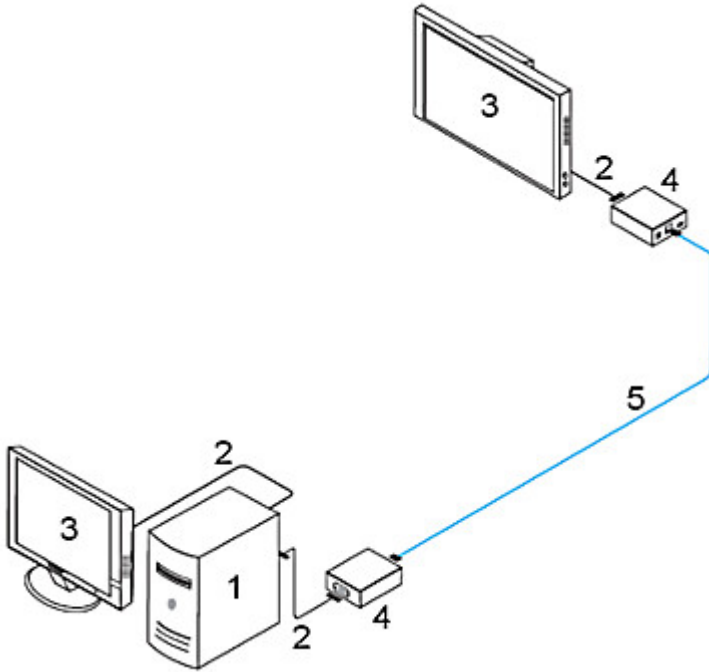
Transmitter and receiver connectors:



DELTA-OPTI Monika Matysiak; <https://www.delta.poznan.pl>
POL; 60-713 Poznań; Graniczna 10
e-mail: delta-opti@delta.poznan.pl; tel: +(48) 61 864 69 60



Transmission schematic diagram:



- 1. Device with HDMI output
 - 2. VGA
 - 3. Monitor
 - 4. PFM710 set
 - 5. UTP cat. 5e/6
- In the kit:



PACKAGE

Dimensions (L x W x H): 0x0x0 mm	Gross Weight: 0 kg
----------------------------------	--------------------