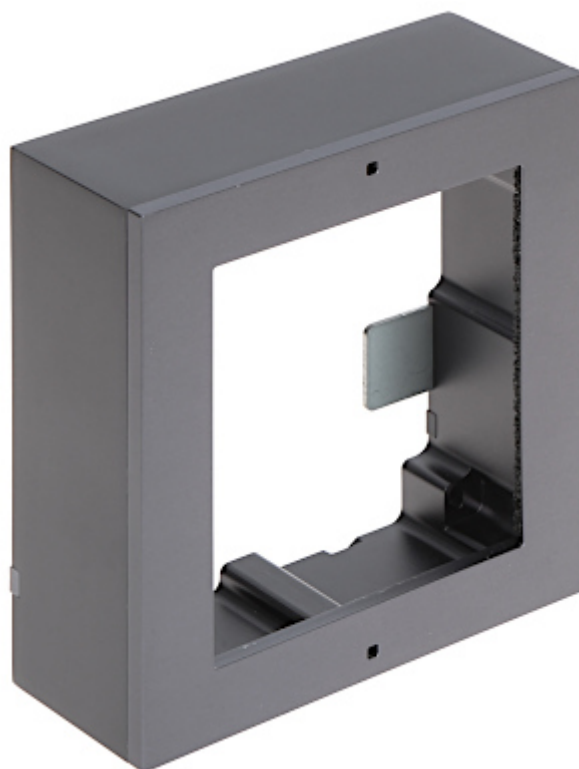


Code: DS-KD-ACW1

## SURFACE HOUSING **DS-KD-ACW1** Hikvision

Net: **55.82 EUR** Gross: **68.66 EUR**

Surface mounted housing dedicated to a series of modular devices Hikvision DS-KD-xx.  
The panel is designed for mounting a single module.



### SPECIFICATION

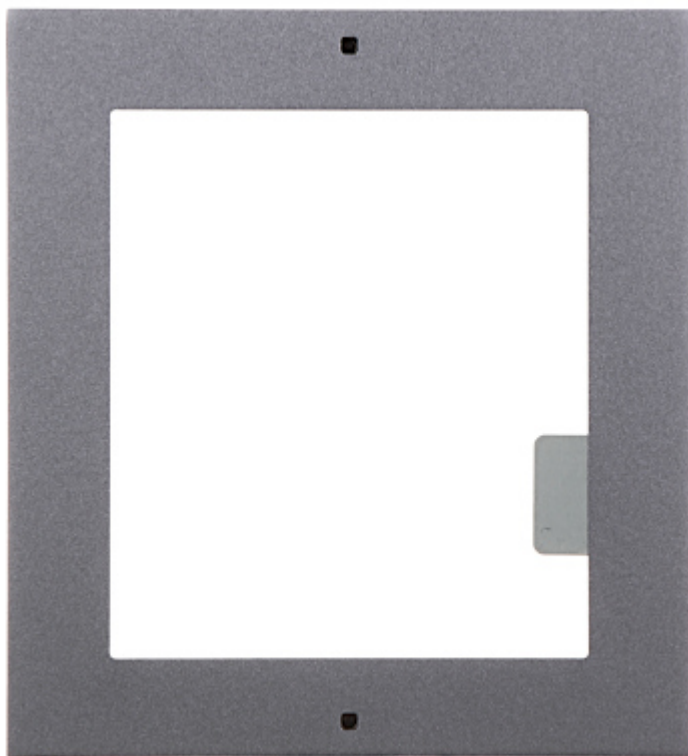
Number of mounted modules:	1 pcs
Material:	Aluminum
Application:	DS-KD-xx
Color:	Graphite
Weight:	0.32 kg
External dimensions:	117 x 107 x 37 mm
Manufacturer / Brand:	Hikvision
SAP Code:	305700450
Guarantee:	<b>3 years</b>

### PRESENTATION

Front view:



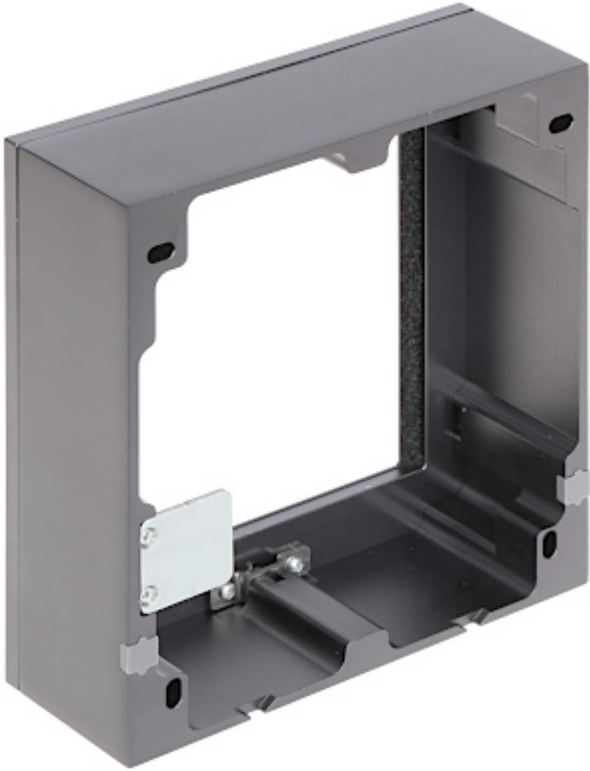
DELTA-OPTI Monika Matysiak; <https://www.delta.poznan.pl>  
POL; 60-713 Poznań; Graniczna 10  
e-mail: [delta-opti@delta.poznan.pl](mailto:delta-opti@delta.poznan.pl); tel: +(48) 61 864 69 60



Side view:



Rear view:



In the kit:

