

Code: VTM05R

SURFACE HOUSING **VTM05R** DAHUA

Net: **37.67 EUR** Gross: **46.33 EUR**

The surface mounting box with rain-shield is dedicated to the DAHUA VTO2202F series devices.



SPECIFICATION

Material:	Aluminum alloy
Application:	VTO2202F
"Index of Protection":	IP65 after additional sealing the housing connection with the mounting surface, e.g. with silicone
Color:	Silver
Weight:	0.31 kg
Dimensions:	141 x 102 x 49 mm
Manufacturer / Brand:	DAHUA
Guarantee:	3 years

PRESENTATION

Front view:



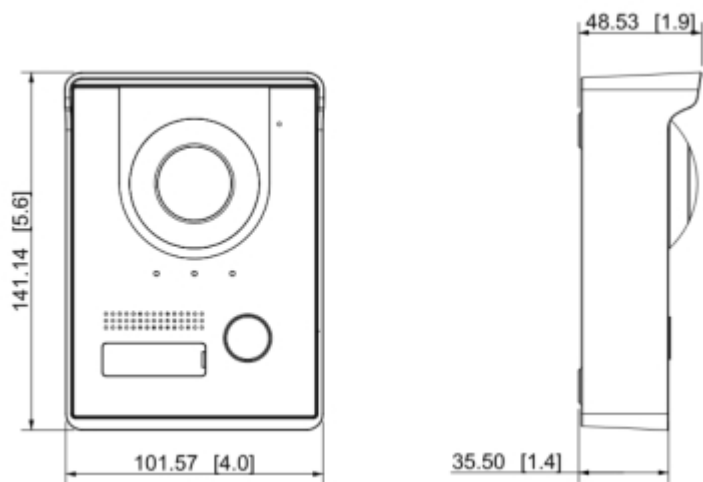
DELTA-OPTI Monika Matysiak; <https://www.delta.poznan.pl>
POL; 60-713 Poznań; Graniczna 10
e-mail: delta-opti@delta.poznan.pl; tel: +(48) 61 864 69 60



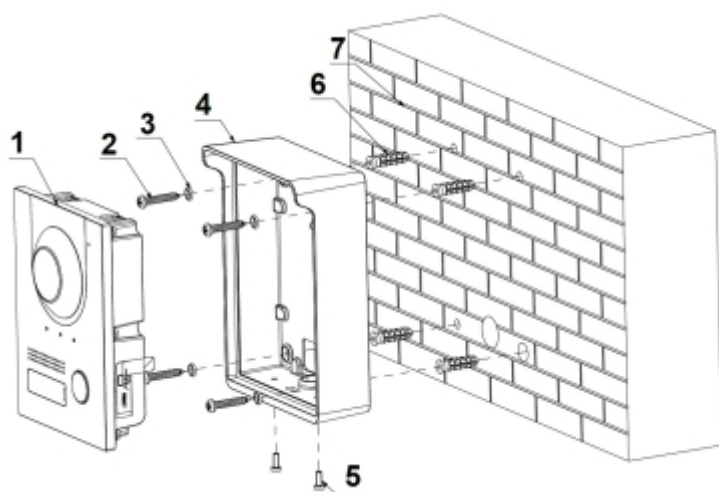
Rear view:



Dimensions:



Application:



- 1 - VTO
- 2 - Self-tapping screw
- 3 - Sealing-ring
- 4 - Rain cover
- 5 - Screw
- 6 - Expansion plug
- 7 - Wall

PACKAGE

Dimensions (L x W x H): 0x0x0 mm	Gross Weight: 0 kg
----------------------------------	--------------------

