

Code: VTM09R

SURFACE HOUSING **VTM09R** DAHUA

Net: **13.14 EUR** Gross: **16.16 EUR**

The surface mounting box with rain-shield is dedicated to the DAHUA VTO2211G series devices.



SPECIFICATION

Material:	Plastic
Application:	VTO2211G
"Index of Protection":	IP65 after additional sealing the housing connection with the mounting surface, e.g. with silicone
Color:	Silver
Weight:	0.074 kg
Dimensions:	158 x 107 x 36 mm
Manufacturer / Brand:	DAHUA
Guarantee:	3 years

PRESENTATION

Front view:



DELTA-OPTI Monika Matysiak; <https://www.delta.poznan.pl>
POL; 60-713 Poznań; Graniczna 10
e-mail: delta-opti@delta.poznan.pl; tel: +(48) 61 864 69 60



Rear view:



Side view:

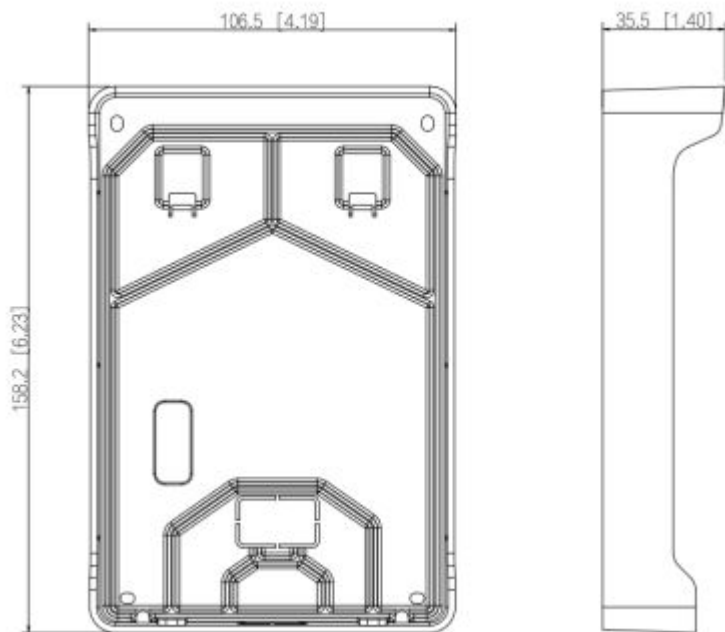


Bottom view:

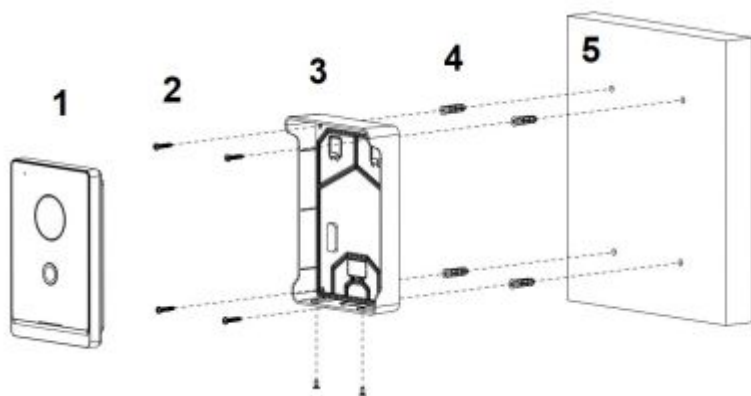


Dimensions:





Application:



- 1 - VTO
 - 2 - Screw
 - 3 - Rain cover
 - 4 - Wall plug
 - 5 - Wall
- In the kit:

