

Code: VTM07R

SURFACE HOUSING **VTM07R** DAHUA

Net: **42.01 EUR** Gross: **42.01 EUR**

The surface mounting box with rain-shield is dedicated to the DAHUA VTO3211D series devices.



SPECIFICATION

Material:	Aluminum alloy
Application:	VTO3211D
Main features:	Rubber gasket
"Index of Protection":	IP65 after additional sealing the housing connection with the mounting surface, e.g. with silicone
Color:	Graphite
Weight:	0.508 kg
Dimensions:	196 x 115 x 67 mm
Manufacturer / Brand:	DAHUA
Guarantee:	3 years

PRESENTATION

Front view:



DELTA-OPTI Monika Matysiak; <https://www.delta.poznan.pl>
POL; 60-713 Poznań; Graniczna 10
e-mail: delta-opti@delta.poznan.pl; tel: +(48) 61 864 69 60



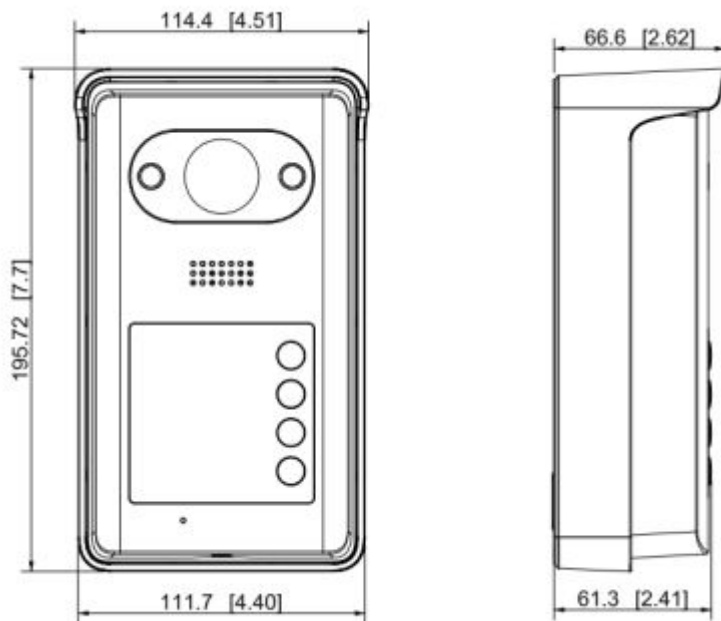
Side view:



Rear view:

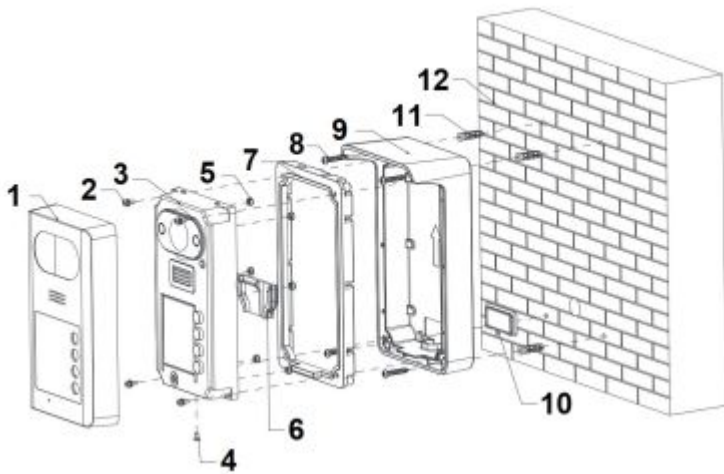


Dimensions:

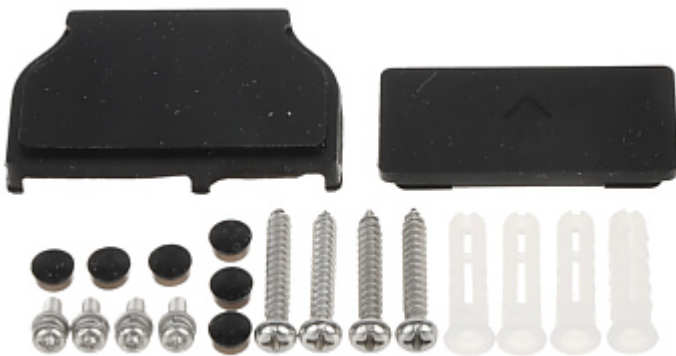


Application:





- 1 - Housing
 - 2 - Screw
 - 3 - VTO
 - 4 - Screw
 - 5 - Bush
 - 6 - Waterproof piece for ports
 - 7 - Sealing-ring
 - 8 - Self-tapping screw
 - 9 - Rain cover
 - 10 - Waterproof piece for cable outlet
 - 11 - Expansion plug
 - 12 - Wall
- In the kit:



PACKAGE

Dimensions (L x W x H): 0x0x0 mm	Gross Weight: 0 kg
----------------------------------	--------------------

