

Code: VTM51R2

RAIN COVER WITH VERTICAL POLE **VTM51R2** DAHUA

Net: **411.16 EUR** Gross: **411.16 EUR**



Rain Cover with vertical pole designed for DAHUA VTO4202F modular systems. The cover enables the correct installation of 2 modules with the VTM125 mounting panel.

SPECIFICATION

Material:	Aluminum alloy
Application:	VTO4202F
Color:	Silver
Weight:	7.4 kg
Dimensions:	Ø 180 x 1222 mm (pole with base) 241 x 141 x 50 mm (housing) 145 x 73 x 36 mm (rain cover)
Manufacturer / Brand:	DAHUA
Guarantee:	3 years

PRESENTATION

Front view:



DELTA-OPTI Monika Matysiak; <https://www.delta.poznan.pl>
POL; 60-713 Poznań; Graniczna 10
e-mail: delta-opti@delta.poznan.pl; tel: +(48) 61 864 69 60

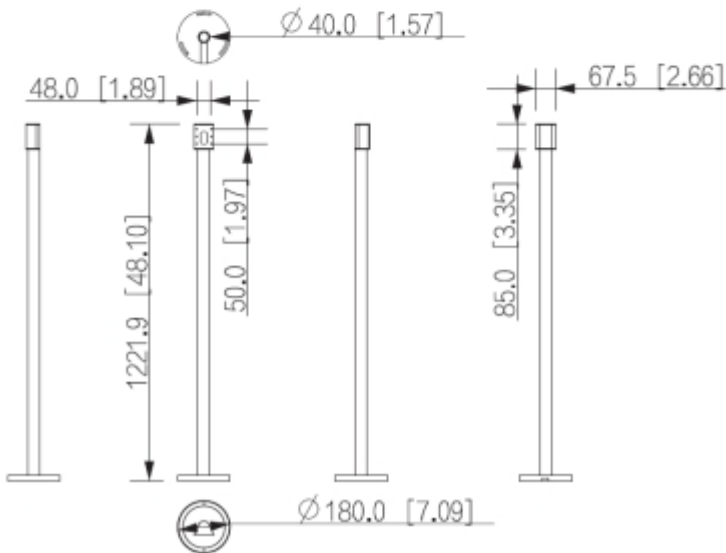
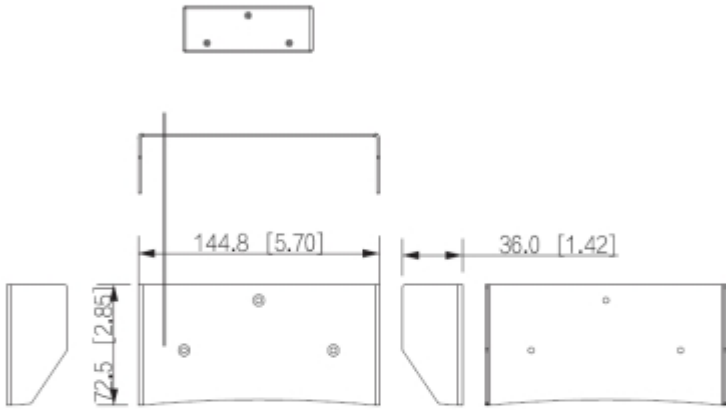
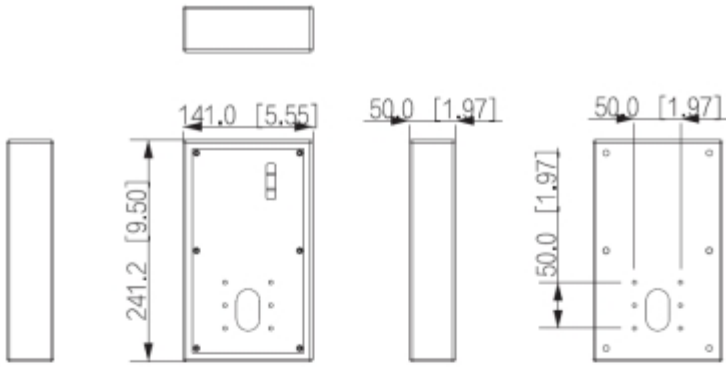


Rear view:



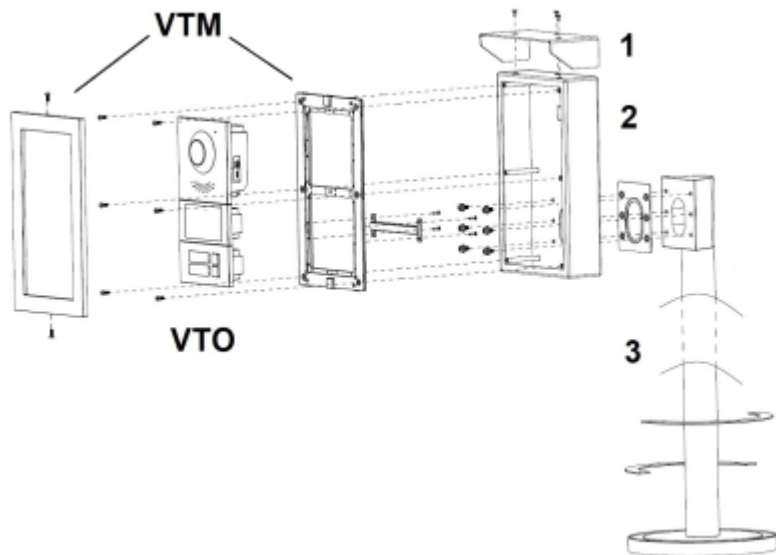
Dimensions:





Application:





- 1 - rain cover
- 2 - housing
- 3 - pole with base

PACKAGE

Dimensions (L x W x H): 0x0x0 mm	Gross Weight: 0 kg
----------------------------------	--------------------

