

Code: PFH610N-IR-W

OUTDOOR SIDE OPENING HOUSING **PFH610N-IR-W** DAHUA

Net: **315.05 EUR** Gross: **387.51 EUR**

The half open housing equipped with heaters with thermostat and cooler fan. Half-open housings allow to easy access to inside mounted elements in contrast to sliding housings.

Built-in Infra-Red illuminator enables night monitoring. The range of IR illumination according to the manufacturer data, depends on outer conditions (visibility - air transparency, environment, wall colors ie. scene reflectance).

Attention: The camera ground shouldn't be connected to the housing ground.



SPECIFICATION

External dimensions:	404 x 164 x 175 mm
Internal dimensions:	255 x 90 x 83 mm
Glass dimensions:	Ø 50 mm
Material:	Aluminum - powder painted / PC
Thermostat:	✓
IR illuminator:	100 m
Power supply:	24 V AC / 5 A
Main features:	<ul style="list-style-type: none">• The product is adapted to work outdoors (heater and fan cooler built-in)• Wiper• Bracket not included in the kit
"Index of Protection":	IP66
Operation temp:	-40 °C ... 60 °C
Weight:	2.78 kg
Manufacturer / Brand:	DAHUA
Guarantee:	3 years

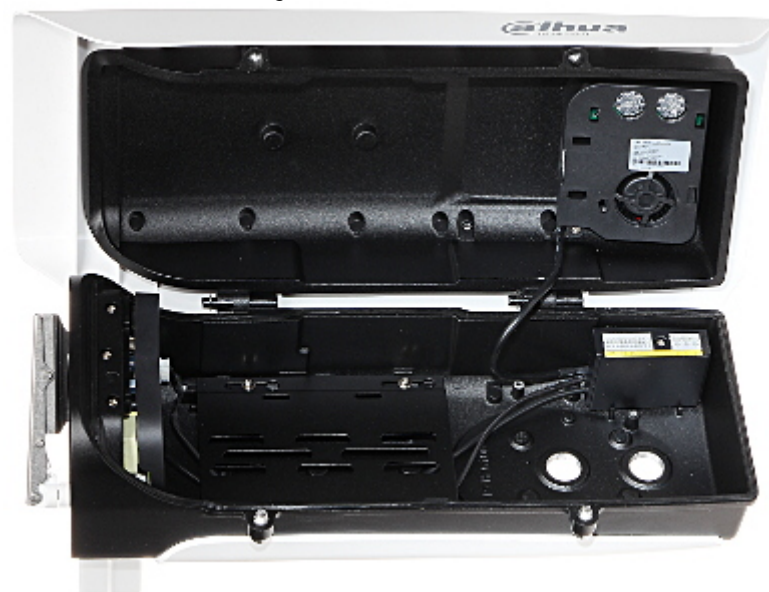
PRESENTATION

DELTA-OPTI Monika Matysiak; <https://www.delta.poznan.pl>
POL; 60-713 Poznań; Graniczna 10
e-mail: delta-opti@delta.poznan.pl; tel: +(48) 61 864 69 60

Side view:



Internal view of the housing:



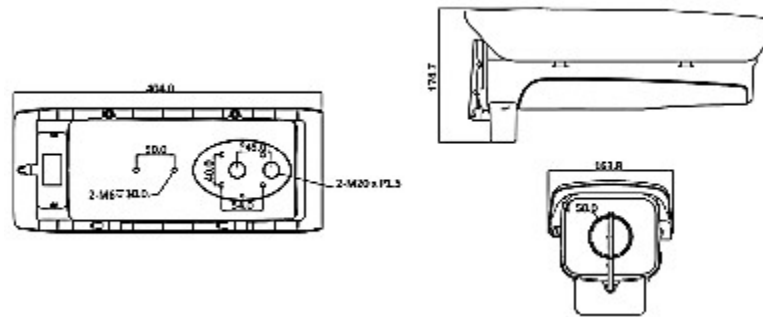
Connectors:



Bottom view:



Dimensions:



In the kit:

