

Code: PFH600N

OUTDOOR SIDE OPENING HOUSING **PFH600N** DAHUA

Net: **26.59 EUR** Gross: **32.71 EUR**

Half-open housings allow to easy access to inside mounted elements in contrast to sliding housings.



SPECIFICATION

External dimensions:	312 x 133 x 103 mm
Internal dimensions:	211 x 73 x 78 mm
Glass dimensions:	71 x 63 mm
Material:	Plastic (ASA + PC)
Thermostat:	—
Operation temp:	-30 °C ... 60 °C
"Index of Protection":	IP66
Main features:	<ul style="list-style-type: none">• The product is adapted to work outdoors• Bracket not included in the kit
Weight:	0.548 kg
Manufacturer / Brand:	DAHUA
Guarantee:	3 years

PRESENTATION

Side view:



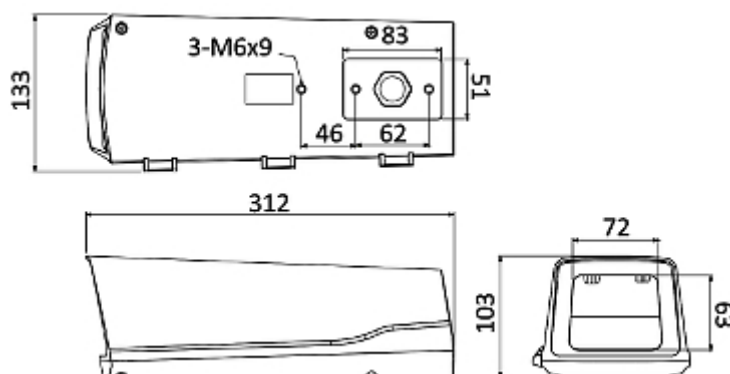
Internal view of the housing:



Bottom view:



Dimensions:



In the kit:





DELTA-OPTI Monika Matysiak; <https://www.delta.poznan.pl>
POL; 60-713 Poznań; Graniczna 10
e-mail: delta-opti@delta.poznan.pl; tel: +(48) 61 864 69 60