

Code: PFH610V-H-POE-V2

OUTDOOR SIDE OPENING HOUSING **PFH610V-H-POE-V2** DAHUA

Net: **202.83 EUR** Gross: **249.48 EUR**

The PFH610V-H-POE-V2 housing is designed for cameras powered according to the PoE 802.3af/at standard. The half open housing equipped with heaters with thermostat and cooler fan.

Half-open housings allow to easy access to inside mounted elements in contrast to sliding housings. Attention: The camera ground shouldn't be connected to the housing ground.



SPECIFICATION

External dimensions:	404 x 164 x 132 mm
Internal dimensions:	255 x 90 x 83 mm
Glass dimensions:	Ø 60 mm
Material:	Aluminum - powder painted + PC
Thermostat:	✓
Operation temp:	-40 °C ... 60 °C
"Index of Protection":	IP67
Vandal-proof:	IK10
Main features:	<ul style="list-style-type: none">• The product is adapted to work outdoors (heater and fan cooler built-in),• Power supply of the camera : PoE (802.3af/at),• Bracket not included in the kit
Power supply:	PoE (802.3at)
Power consumption:	12 W - without camera
Weight:	2.67 kg
Manufacturer / Brand:	DAHUA
Guarantee:	3 years

PRESENTATION

Side view:



DELTA-OPTI Monika Matysiak; <https://www.delta.poznan.pl>
POL; 60-713 Poznań; Graniczna 10
e-mail: delta-opti@delta.poznan.pl; tel: +(48) 61 864 69 60

Internal view of the housing:



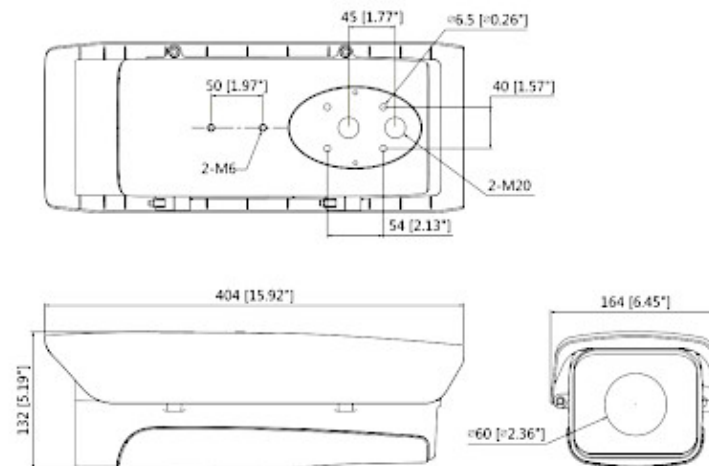
Connectors:



Bottom view:



Dimensions:



In the kit:

