

Code: PFH610V-IR-V2

OUTDOOR SIDE OPENING HOUSING **PFH610V-IR-V2** DAHUA

Net: **1 193.00 PLN** Gross: **1 467.39 PLN**

Half-open housings allow for easy access to inside mounted elements in contrast to sliding housings. Attention: The camera ground shouldn't be connected to the housing ground.

Built-in Infra-Red illuminator enables night monitoring. The range of IR illumination according to the manufacturer data, depends on outer conditions (visibility - air transparency, environment, wall colors ie. scene reflectance).



SPECIFICATION

External dimensions:	404 x 164 x 132 mm
Internal dimensions:	215 x 90 x 83 mm
Glass dimensions:	Ø 60 mm
Material:	Aluminum - powder painted + PC
Thermostat:	✓
IR illuminator:	100 m
Power supply:	24 V AC / 5 A (max)
Power consumption:	≤ 55 W
"Index of Protection":	IP66
Vandal-proof:	IK10
Main features:	<ul style="list-style-type: none">• The product is adapted to work outdoors (heater and fan cooler built-in)• Controlling the IR illuminator via RS-485• Bracket not included in the kit
Operation temp:	-40 °C ... 60 °C
Weight:	2.52 kg
Manufacturer / Brand:	DAHUA
Guarantee:	3 years

PRESENTATION

Side view:

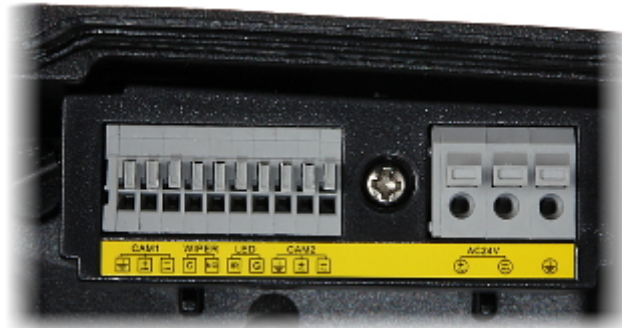


DELTA-OPTI Monika Matysiak; <https://www.delta.poznan.pl>
POL; 60-713 Poznań; Graniczna 10
e-mail: delta-opti@delta.poznan.pl; tel: +(48) 61 864 69 60

Internal view of the housing:



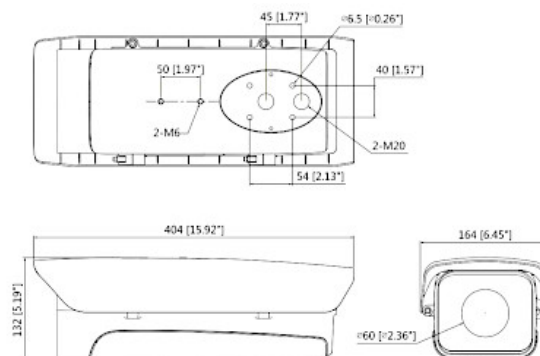
Connectors:



Bottom view:



Dimensions:



In the kit:

